

Split locking rings


Material, surface finish:

Steel 1.0718, natural finish;
stainless steel 1.4305, natural finish

Sample order:

nIm 07810-01001

Note:

Slotted clamping rings surround the shaft with a uniformly distributed clamping force. This leads to a dimensionally precise fit and very high retaining forces without damaging the shaft.

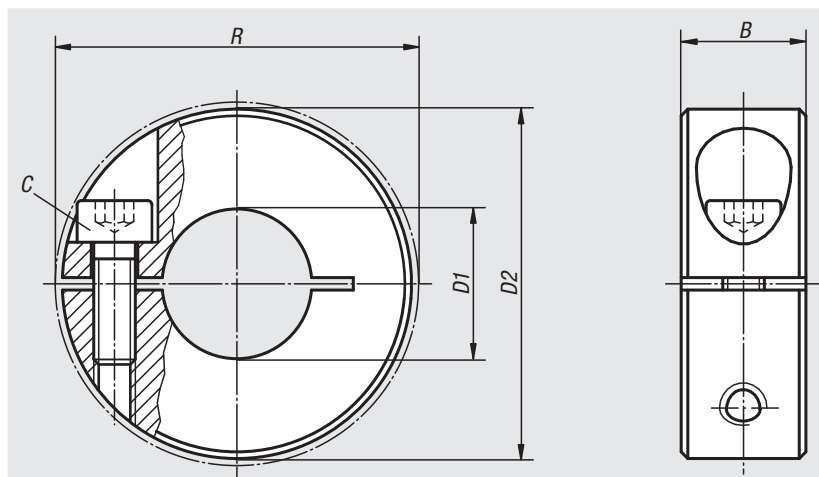
The shaft tolerance should lie within h11.

Temperature range:

-40 °C up to +175 °C.

On request:

Other dimensions.



Order No. steel	Order No. stainless steel	B	C (DIN 912)	D1	D2	R	Approx. weight kg
07810-01001	07810-01002	9	M3x10	10	24	26	0,022
07810-01201	07810-01202	11	M4x12	12	28	31,8	0,038
07810-01501	07810-01502	13	M5x16	15	34	39,4	0,065
07810-01601	07810-01602	13	M5x16	16	34	39,4	0,063
07810-01801	07810-01802	13	M5x16	18	36	41,1	0,069
07810-02001	07810-02002	15	M6x18	20	40	46,4	0,097
07810-02201	07810-02202	15	M6x18	22	42	48,1	0,103
07810-02501	07810-02502	15	M6x18	25	45	50,8	0,114
07810-02801	07810-02802	15	M6x18	28	48	53,5	0,123
07810-03001	07810-03002	15	M6x18	30	54	58,4	0,163
07810-04001	07810-04002	15	M6x18	40	60	64,8	0,163
07810-05001	07810-05002	19	M8x25	50	78	83,9	0,370