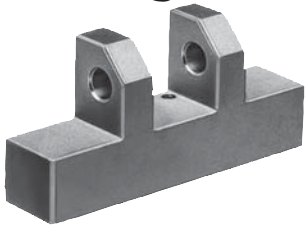


# Bearing blocks, short

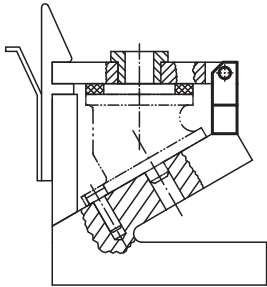
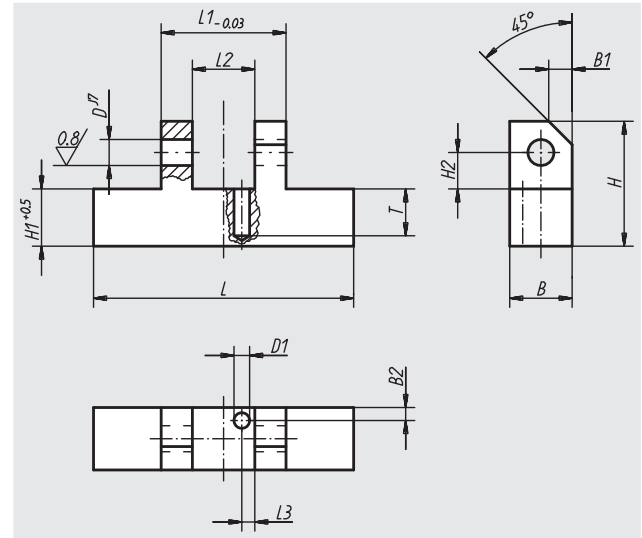


**Material:**  
1.0036

**Surface finish:**  
Phosphated

**Sample order:**  
nIm 08100-02

**Note:**  
Complete sets of drilling jig elements see  
08250 – 08280.



Order No.	L	L1	L2	L3	B	B1	B2	H	H1	H2	D	D1	T	Approx. weight kg
08100-01	50	24	12	2,5	12	4,5	2,5	24	11	7	5	3	9	0,065
08100-02	65	31	16	2,5	15	6	2,5	30	13	9	6	3	10	0,125
08100-03	100	49	20	2,5	20	8	2,5	48	27	11	8	3	10	0,495

# Closing parts



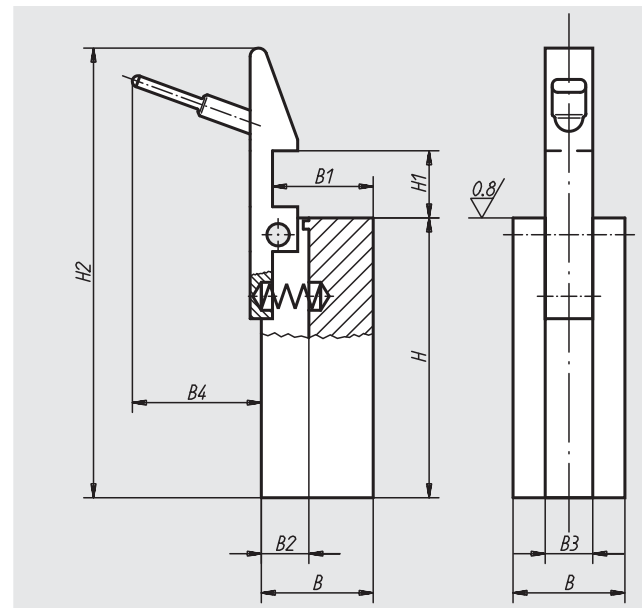
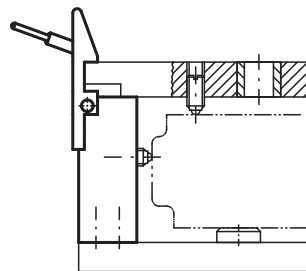
**Material:**  
Base body 1.0036, hinged fastener 1.0503

**Surface finish:**  
Base body phosphated, hinged fastener black oxide finish

**Sample order:**  
nIm 08150-01

**Note:**  
Missing dimensions for hinged fastener see  
07560. Complete sets of drilling jig elements see  
08250 – 08280.

application example:



Order No.	B	B1	B2	B3	B4	H	H1	H2	Approx. weight kg
08150-01	20	18	9	8,5	23	50	12	77	0,147
08150-02	30	28	11	10,5	24	63	16	99	0,425
08150-03	40	36	14	14,5	24	100	25	145	1,200

01000  
02000  
03000  
04000  
05000  
06000  
07000  
08000  
09000  
20000  
21000  
22000  
23000