

Drilling plates

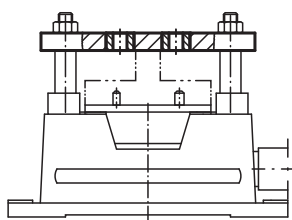
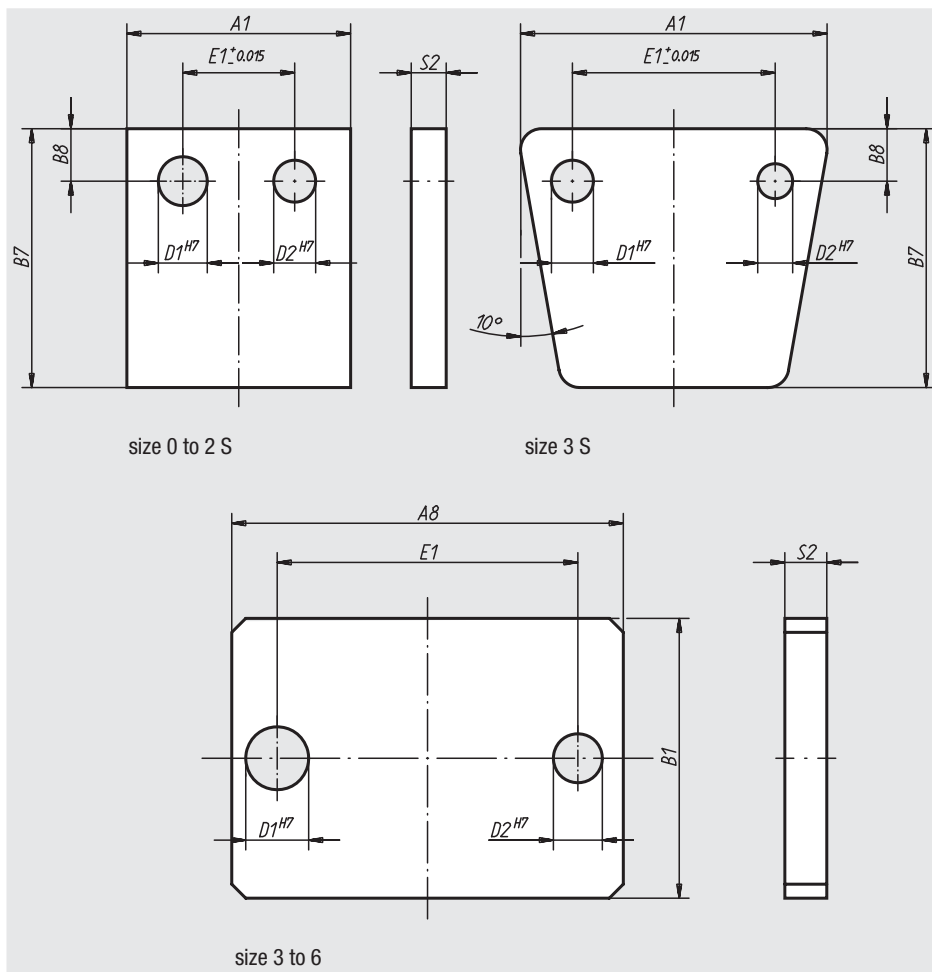
DIN 6348 extended



Material:
Steel

Surface finish:
Black oxide finish.

Sample order:
nlm 08570-03



Order No.	Surface finish	Suitable for drill clamp size	Size of drill clamp	A1	B7	B8	E1	D1	D2	S2	Approx. weight kg
08570-00	Size 0 to 3 S	0	60 x 32	50	56	9	24	10	9	8	0,160
08570-01	Size 0 to 3 S	1	80 x 50	80	80	14	28	14	14	12	0,500
08570-02	Size 0 to 3 S	2	100 x 60	100	96	16	50	16	16	14	0,900
		2 S	100 x 60 x 115								
08570-13	Size 0 to 3 S	3 S	125 x 100	168	130	17	132	20	18	16	2,300

Order No.	Surface finish	Suitable for drill clamp size	Size of drill clamp	A8	B1	E1	D1	D2	S2	Approx. weight kg
08570-03	Size 3 to 6	3	100 x 125	170	125	132 ±0,015	20	18	16	2,600
08570-04	Size 3 to 6	4	200 x 160	275	160	236 ±0,015	20	18	16	5,500
08570-05	Size 3 to 6	5	300 x 190	380	190	335 ±0,015	24	22	20	11,000
08570-06	Size 3 to 6	6	400 x 250	530	215	460 ±0,025	26	24	27	26,600