

Lengthening column



Material:

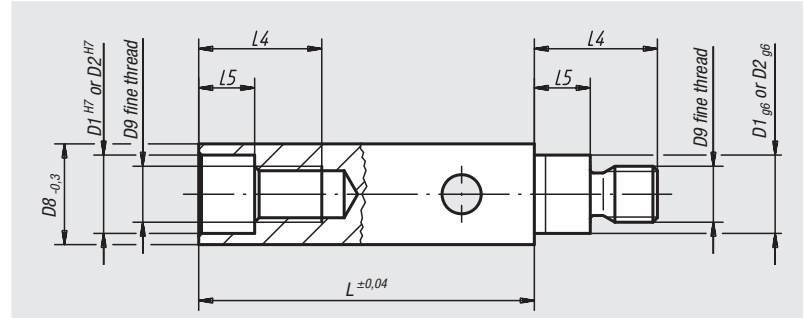
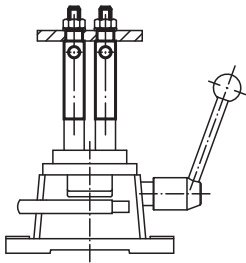
Hardened steel 1.7139

Surface finish:

Hardened and black oxide finish

Sample order:

nIm 08600-01 (in pairs)



Order No.	Suitable for drill clamp size	D1	D2	D8	D9	L	L4	L5	Approx. weight kg piece
08600-01	1	14	14	22	M10x1	60	22	10	0,100
08600-02	2; 2 S	16	16	25	M14x1,5	60	28	12	0,150
08600-03	3; 3 S; 4	20	18	30	M14x1,5	60	32	14,5	0,300
08600-05	5	24	22	40	M20x1,5	60	43	18	0,600
08600-06	6	26	24	40	M20x1,5	70	46	22	0,650

Lengthening columns



Material:

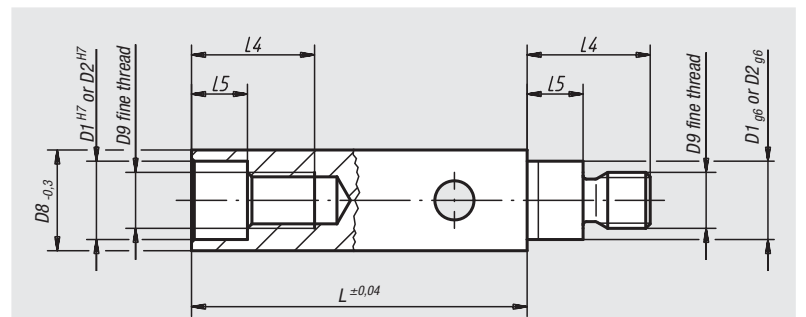
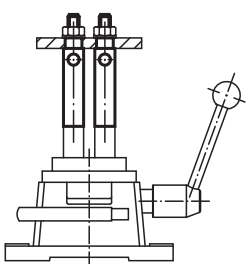
Hardened steel 1.0401

Surface finish:

Hardened and black oxide finish

Sample order:

nIm 08610-03 (in pairs)



Order No.	Suitable for drill clamp size	D1	D2	D8	D9	L	L4	L5	Approx. weight kg piece
08610-02	2; 2 S	16	16	25	M14x1,5	120	28	12	0,450
08610-03	3; 3 S; 4	20	18	30	M14x1,5	120	32	14,5	0,650
08610-05	5	24	22	40	M20x1,5	120	43	18	1,200
08610-06	6	26	24	40	M20x1,5	120	46	22	1,300