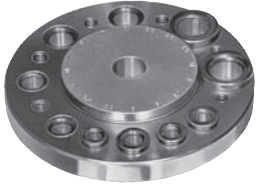


Index drilling discs

for drilling jig for cylindrical parts

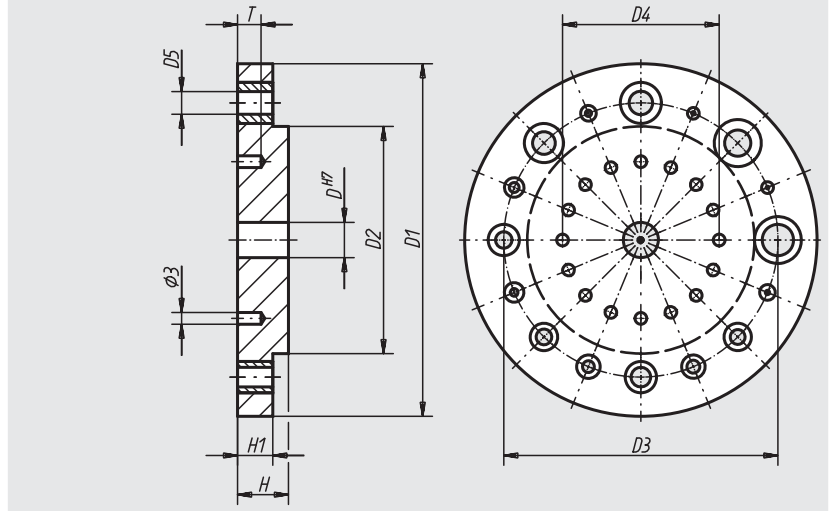
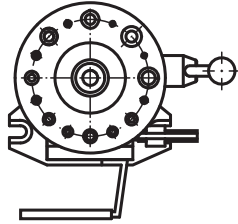


Material:
1.0036

Surface finish:
Natural finish

Sample order:
nlm 08640-00

Note:
We can equip the index drilling discs to your requirements or supply them with 4 mm pre-drilled and threaded holes.



* Base bush for removable drill bushes.

Order No.	Suitable for size of lathe-work drill clamp	D	D1	D2	D3	D4	H	H1	T	D5 pressed Drill bush	Approx. weight kg
08640-00	0	9	90	58	70	40	13	9	6	0,7 / 0,9 / 1,1 / 1,6 / 2 / 2,5 / 3 / 3,3 / 3,8 / 4 / 4,2 / 5 / 5,8 / 6 / 6,7 / 8*	0,200
08640-02	2	16	125	67	94	60	18	12	6	3 / 3,3 / 3,8 / 4 / 4,2 / 5 / 5,8 / 6* / 6,7 / 8* / 8,4 / 10* / 11,8 / 12* / 13,8 / 15*	0,300

Locating plates

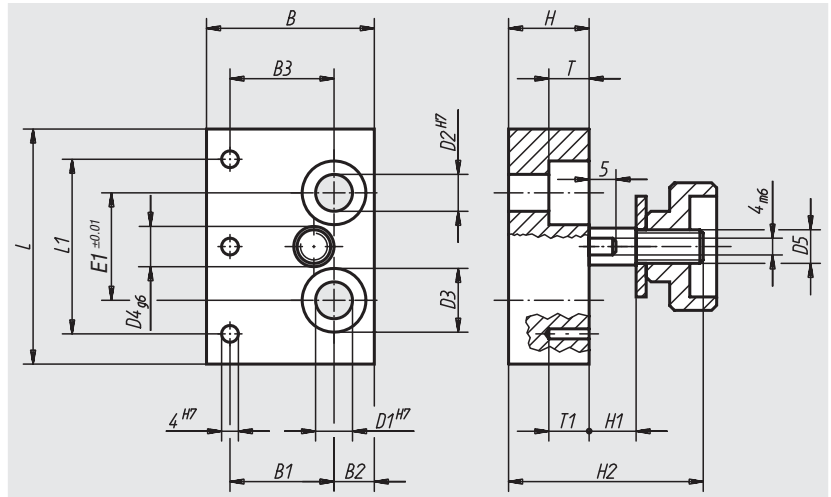
for drilling jig for cylindrical parts



Material:
Steel 1.0036

Surface finish:
Natural finish

Sample order:
nlm 08641-00



Order No.	Suitable for size of lathe-work drill clamp	D1	D2	D3	D4	D5	E1	L	L1	B	B1	B2	B3	H	H1	H2	T	T1	Approx. weight kg
08641-00	0	10	9	14,5	9	M8	24	55	40	40	24	10	20	19	11	45	9	10	0,360
08641-02	2	16	16	31	16	M10	50	90	80	65	29,8	19	29,8	29	15	60	15	10	1,250

01000
02000
03000
04000
05000
06000
07000
08000
09000
20000
21000
22000
23000