

Drill bushes with collar

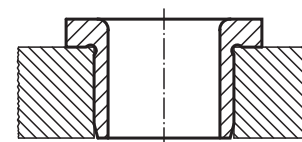
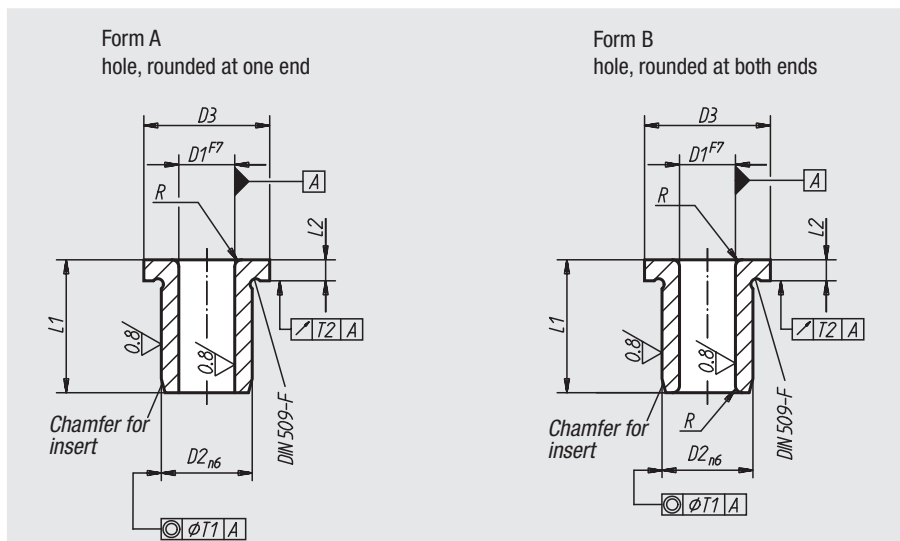
DIN 172



Material:
Special hardened steel

Surface finish:
Hardened and ground.
Hardness 740 ±80 HV, quality class 10

Sample order:
nlm 08910-A0120X09
(drill bush with collar form A with
D1 = 1,2 mm and L1 = 9 mm)



D1	D2	D3	L1	Surface finish	L2	R	T1	T2
from 0.4 up to 0.8	3	6	6	medium	2	1	0,01	0,03
from 0.9 up to 1.0	3	6	6/9/10	short/medium	2	1	0,01	0,03
from 1.1 up to 1.8	4	7	6/9	short/medium	2	1	0,01	0,03
from 1.9 up to 2.6	5	8	6/9	short/medium	2	1	0,01	0,03
from 2.7 up to 3.3	6	9	8/12/16	short/medium/long	2,5	1	0,01	0,03
from 3.4 up to 4.0	7	10	8/12/16	short/medium/long	2,5	1	0,01	0,03
from 4.1 up to 5.0	8	11	8/12/16	short/medium/long	2,5	1	0,01	0,03
from 5.1 up to 6.0	10	13	10/16/20	short/medium/long	3	1,5	0,02	0,03
from 6.1 up to 8.0	12	15	10/16/20	short/medium/long	3	1,5	0,02	0,03
from 8.1 up to 10.0	15	18	12/20/25	short/medium/long	3	2	0,02	0,03
from 10.1 up to 12.0	18	22	12/20/25	short/medium/long	4	2	0,02	0,03
from 12.1 up to 15.0	22	26	16/28/36	short/medium/long	4	2	0,02	0,03
from 15.5 up to 18.0	26	30	16/28/36	short/medium/long	4	2	0,02	0,03
from 18.5 up to 22.0	30	34	20/36/45	short/medium/long	5	3	0,02	0,03
from 22.5 up to 26.0	35	39	20/36/45	short/medium/long	5	3	0,02	0,05
from 26.5 up to 30.0	42	46	25/45/56	short/medium/long	5	3	0,02	0,05
from 30.5 up to 35.0	48	52	25/45/56	short/medium/long	5	3	0,04	0,05
from 35.5 up to 42.0	55	59	30/56/67	short/medium/long	5	3,5	0,04	0,05
from 42.5 up to 48.0	62	66	30/56/67	short/medium/long	6	3,5	0,04	0,05

01000 02000 03000 04000 05000 06000 07000 08000 09000 20000 21000 22000 23000