

Clamping bushes

DIN 173, part 1



Material:

Clamping bush 1.0711; socket head screw in steel

Surface finish:

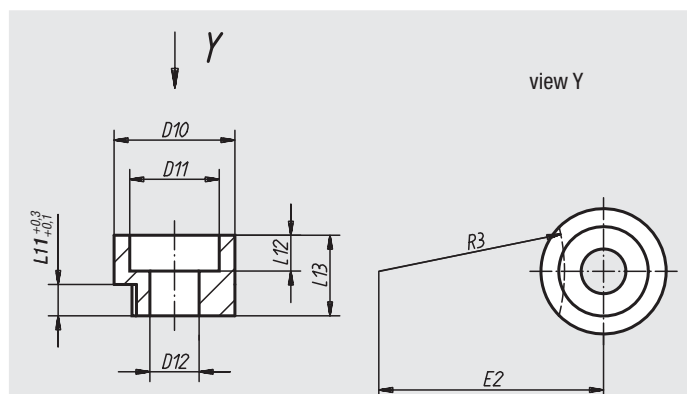
Natural finish

Sample order:

nIm 08926-061X10 (clamping bush with $D12 = 6,1$ mm and $L13 = 10$ mm)

Note:

A socket head screw to DIN 912 is supplied.



Order No.	D12	for removable guides (D1)	D10	D11	L11	L12	L13	E2	R3	Socket head screw DIN 912
08926-051X08	5,1	up to 6,0	13	10	3	4	8	13,2	9,5	M5x16
08926-061X10	6,1	over 6,0 up to 12,0	16	12	4	5	10	19,7	15	M6x20
08926-081X12	8,1	over 12,0 up to 30,0	20	15	5,5	5	12	36,2	30	M8x25

Shoulder screws with slotted flat head

for removable drill bushes DIN 173



Material:

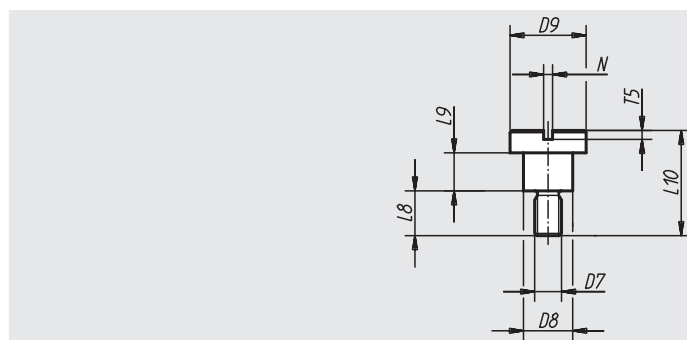
Steel

Surface finish:

Natural finish, quality class 10.9

Sample order:

nIm 08927-06X04 (shoulder screw with slotted flat head DIN 173 part 1 with $D7 = M6$ and $L9 = 4$ mm)



Order No.	Surface finish	D7	for removable guides (D1)	L8	L9	L10	D8	D9	N	T5
08927-05X03	short	M5	up to 6,0	9	3	15	7,5	13	1,6	2
08927-06X04	short	M6	over 6,0 up to 12,0	10	4	18	9,5	16	2	2,5
08927-08X55	short	M8	over 12,0 up to 30,0	11,5	5,5	22	12	20	2,5	3
08927-05X06	long	M5	up to 6,0	9	6	18	7,5	13	1,6	2
08927-06X08	long	M6	over 6,0 up to 12,0	10	8	22	9,5	16	2	2,5
08927-08X105	long	M8	over 12,0 up to 30,0	11,5	10,5	27	12	20	2,5	3