

Round holding magnets (bar magnets)

in AlNiCo with fitting tolerance

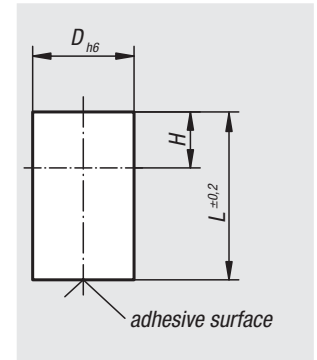
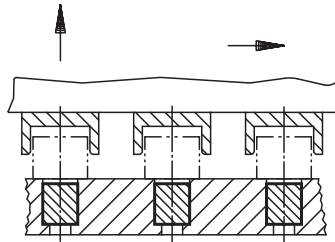


Material, surface finish:
Housing in galvanized steel.
Magnetic core AlNiCo.

Sample order:
nlm 09060-01

Note:
Shielded system. Diameter „D“ ground to a fitting tolerance of h 6. Fastening possibilities by pressing, shrink-fitting or gluing.
Round bar grippers can be shortened by the dimension „H“ with no loss of adhesive force.

Temperature range:
max. 450°C.



Order No.	D	L	H	Adhesive force N	Approx. weight g
09060-01	6	10	2	1,5	2
09060-02	8	12	3	3,5	4
09060-03	10	16	6	7	9
09060-04	13	18	7	10	17
09060-05	16	20	5	18	29
09060-06	20	25	6	42	57
09060-07	25	30	5	96	110
09060-08	32	35	3	180	200
09060-09	40	45	5	240	420
09060-10	50	50	2	420	720

Round holding magnets (bar magnets)

in AlNiCo without fitting tolerance

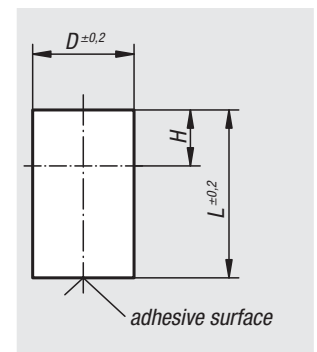


Material, surface finish:
Housing in galvanized steel.
Magnetic core AlNiCo.

Sample order:
nlm 09061-01

Note:
Shielded system. Diameter „D“ without fitting tolerance. Fastening possibilities are pressing, shrink-fitting or gluing.
Round bar grippers can be shortened by the dimension „H“ with no loss of adhesive force.

Temperature range:
max. 450°C.



Order No.	D	L	H	Adhesive force N	Approx. weight g
09061-01	6	20	12	1,5	4
09061-02	8	20	11	3,5	7
09061-03	10	20	10	7	11
09061-04	13	20	9	10	19
09061-05	16	20	5	18	29
09061-06	20	25	6	42	57
09061-07	25	35	10	96	140
09061-08	32	40	8	180	240
09061-09	40	50	10	240	500