

Flat gripper with barrel hole

in hard ferrite

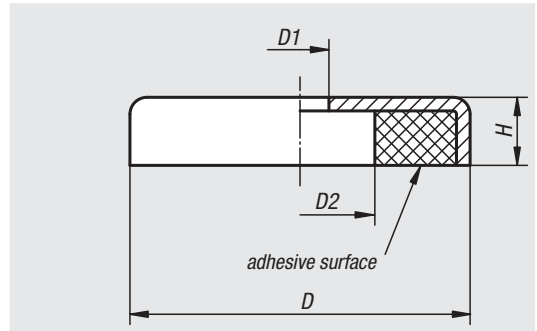


Material, surface finish:
Housing in galvanized steel.
Magnetic core hard ferrite

Sample order:
nlm 09070-50

Note:
Shielded system

Temperature range:
max. 200°C.



Order No.	D	D1	D2	H	Adhesive force N	Approx. weight g
09070-50	50 ±0,20	8,5	22	10	180	85
09070-63	63 ±0,20	6,5	24	14	290	197
09070-80	80 ±0,25	6,5	11,5	18	540	458

Flat gripper with counterbore

in hard ferrite

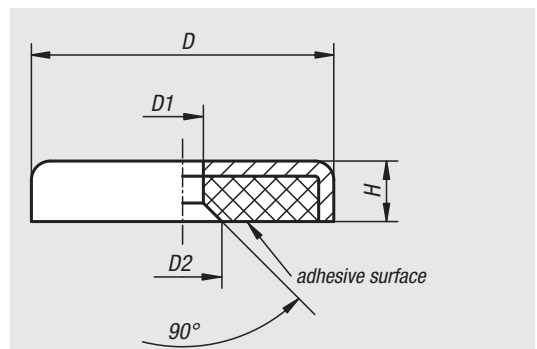


Material, surface finish:
Housing in galvanized steel.
Magnetic core hard ferrite

Sample order:
nlm 09071-01

Note:
Shielded system

Temperature range:
max. 200°C.



Order No.	D	D1	D2	H	Adhesive force N	Approx. weight g
09071-01	16 ±0,15	3,3	7	4,5	14	4
09071-02	20 ±0,15	4,2	9	6	27	9
09071-03	25 ±0,15	5,5	11	7	36	17
09071-04	32 ±0,20	5,5	11	7	72	27
09071-05	40 ±0,20	5,5	11	8	90	52