

Flat pot magnets


Material, surface finish:

Housing in steel, painted red.
Magnetic core AlNiCo.

Sample order:

nIm 09096-01

Note:

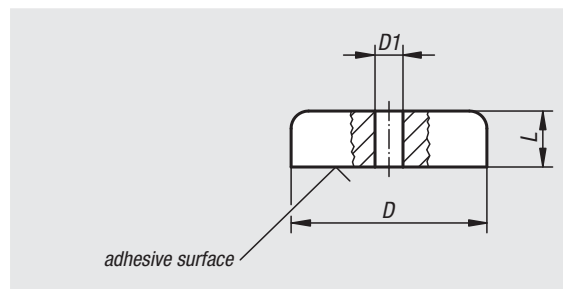
Shielded system. Pot magnets are used for installation in systems if little space is needed.

Temperature range:

max. 450°C.

On request:

Other colours.



Order No.	D	D1	L	Adhesive force N	Approx. weight g
09096-01	19	3,5	8	30	18
09096-02	29	5	9	55	46
09096-03	38	5	10,5	95	97

Button magnets


Material, surface finish:

Magnet core AlNiCo, painted red.

Sample order:

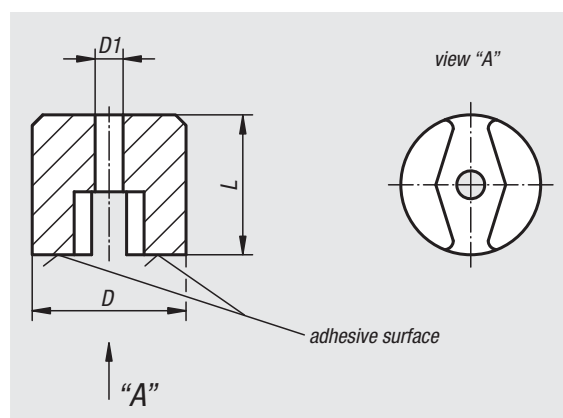
nIm 09098-01

Note:

Split adhesive surface with through fastening hole. Non-shielded system. Button magnets with a divided adhesive surface are used for laboratory purposes, measurement and to hold metal objects still.

Temperature range:

max. 450°C.



Order No.	D	D1	L	Adhesive force N	Approx. weight g
09098-01	13	4,2	10	7	7
09098-02	19	5,4	13	19	20
09098-03	25	5,4	16	29	56
09098-04	32	7	25	66	133