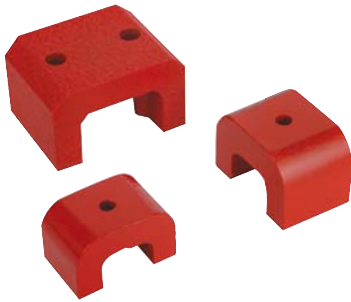


Strong magnets

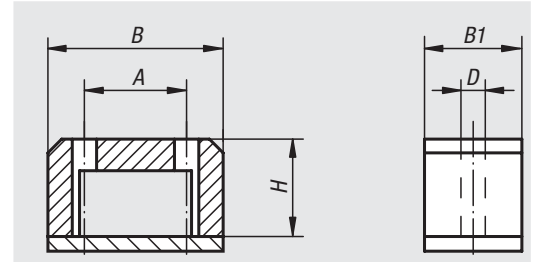


Material, surface finish:
Magnet core AlNiCo, painted red.

Sample order:
nlm 09100-01

Note:
U-shaped magnets with high adhesive force. Non-shielded system. The magnets are supplied with a galvanised protective plate and are used for holding, sorting and lifting.
Sizes 1, 2 and 3 have only one attachment hole in the centre.

Temperature range:
max. 450°C.



Order No.	Size	A	B	B1	D	H	Adhesive force N	Approx. weight g
09100-01	1	-	30	20	5	20	45	65
09100-02	2	-	40	25	5	25	90	150
09100-03	3	-	45	29	5	30	120	220
09100-04	4	32	57	45	8	35	230	380
09100-05	5	38	70	57	8	41	320	1.600

Protective rubber caps for flat gripper

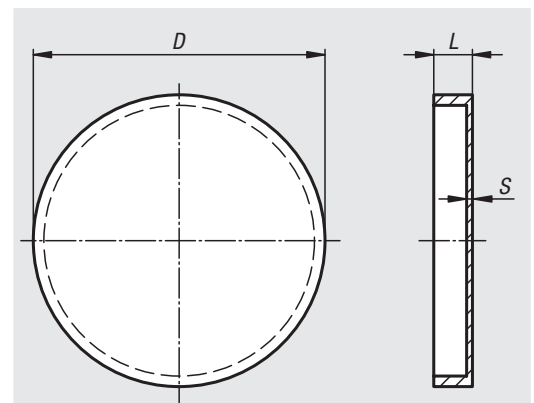


Material, surface finish:
Synthetic rubber, black.

Sample order:
nlm 09110-50

Note:
For protecting sensitive surfaces. The rubber protective caps are slipped over the adhesive surfaces of flat grippers. The shearing force with which the magnet can be displaced is doubled and reaches almost the original adhesive force of the magnet.

Temperature range:
max. 60°C.



Order No.	D	L	S
09110-50	52	6	0,5
09110-63	65	8	0,5
09110-80	83	11	0,5