

Flat gripper with threaded pin in NdFeB,

with rubber protective jacket



Material, surface finish:

Housing in galvanized steel.

Magnetic core NdFeB (neodymium)

Protective rubber jacket, synthetic rubber, black.

Sample order:

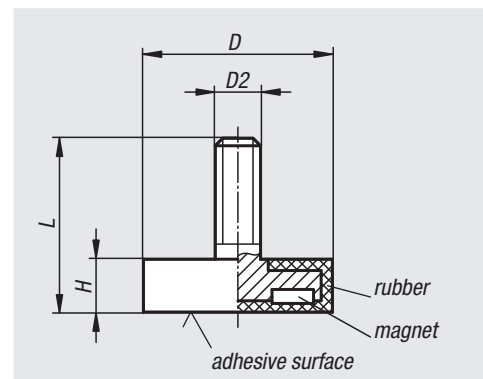
nIm 09116-01

Note:

Flat gripper with threaded pin, shielded system. With rubber protective jacket for protecting sensitive surfaces. The coefficient of friction is increased by the rubber protective jacket, so that high lateral static friction forces are achieved.

Temperature range:

max. 60°C



Order No.	D	D2	H	L	Adhesive force N	Approx. weight g
09116-01	22	M4	6	12,5	50	11
09116-02	43	M6	6	21	85	32
09116-03	66	M8	8,2	23	180	107
09116-04	88	M8	8,2	23,5	420	193

Flat gripper with borehole in NdFeB,

with rubber protective jacket



Material, surface finish:

Housing in galvanized steel.

Magnetic core NdFeB (neodymium)

Protective rubber jacket, synthetic rubber, black.

Sample order:

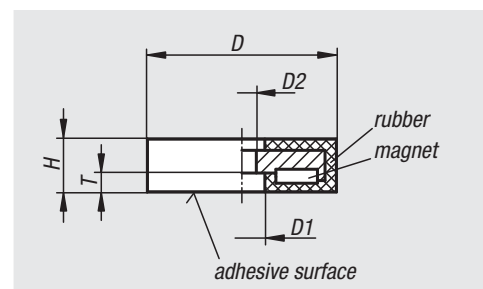
nIm 09118-01

Note:

Flat gripper with borehole, shielded system. With rubber protective jacket for protecting sensitive surfaces. The coefficient of friction is increased by the rubber protective jacket, so that high lateral static friction forces are achieved.

Temperature range:

max. 60°C.



Order No.	D	D1	D2	H	T	Adhesive force N	Approx. weight g
09118-01	22	8	4	6	3,5	35	8
09118-02	31	9	6	6	3,5	75	20
09118-03	43	12,8	7	6	4,2	85	27
09118-04	57	25,3	8	7,6	3,3	175	77
09118-05	66	22	5,5	8,5	3,2	210	100