

The HC6D2 miniBOOSTER



HC6D2 versions: 9 different intensification factors

P_{IN}: 20 – 200 bar (inlet pressure)

P_H: 800 bar maximum (outlet pressure)

P_{RETURN}: As low as possible (Return pressure to tank)

Intensification ratios: $P_H = (P_{IN} - P_{RETURN}) \cdot i$ (Intensification)

The intensification ratio is related to the inlet pressure at media 2, the values in the table are measured at 1 bar on media 2

Drain connections: Max. 10 bar

Mounting: Inline tube

A model = no dump valve

Description

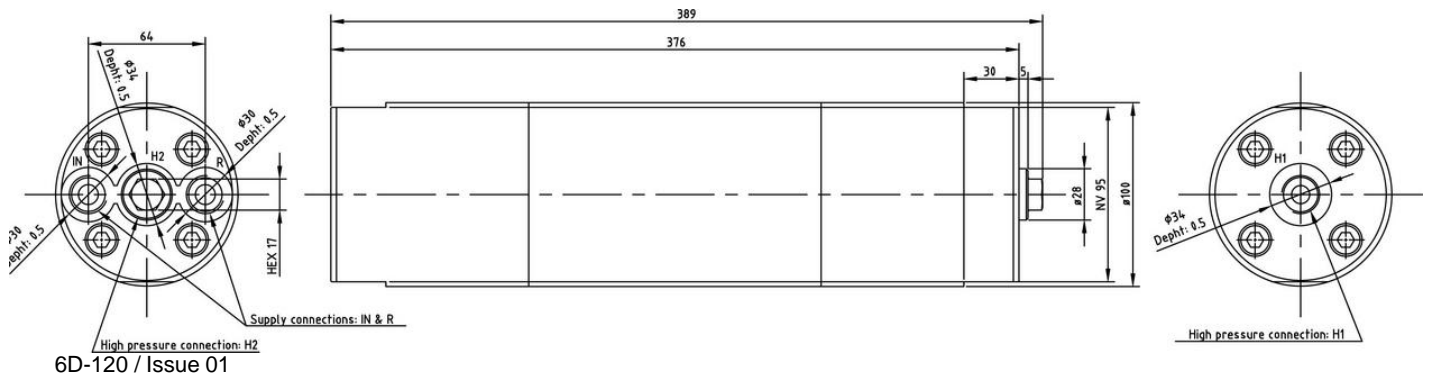
The HC6D2 is a dual media unit which is capable of up to 41 l/ min flow on the high pressure end. Like other miniBOOSTER models, the HC6D2 raises supplied pressure to a higher outlet pressure and automatically compensates for consumption of oil to maintain the high pressure.

Adjustment of the outlet pressure is carried out by varying the supplied pressure. Relative to its flow capability, the HC6D2 is a compact unit weighing 24 kg.

Flow Rates

Intensification factor i	Max. outlet flow l/ min	Max. inlet flow l/ min
1.0	41.0	70.0
1.2	38.2	70.0
1.5	34.0	70.0
2.0	29.7	70.0
3.0	22.5	70.0
3.9	17.5	70.0
5.2	14.5	70.0
7.1	8.5	70.0
10.1	6.0	70.0

Dimensions

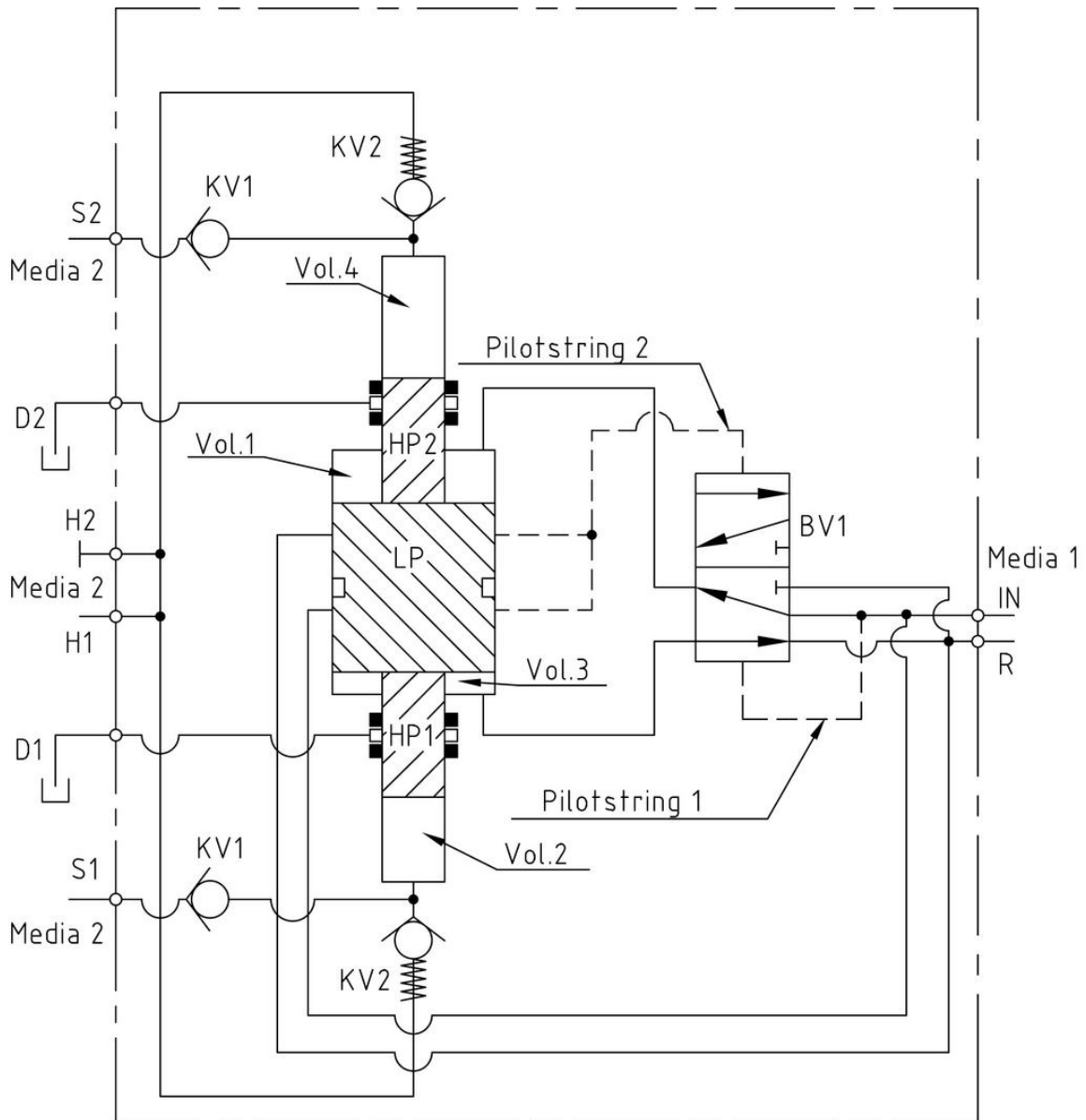


Functions

The basic operation is illustrated in the function diagram. Media 1 is fed through the IN port flowing freely through the bistable valve BV1 driving the LP pistons. From the suction inlet IN Media 2 is drawn through the check valves 2 x KV1, and pumped through the 2 x KV2 to the high-pressure side H. In this condition maximum flow through the booster is achieved giving a fast forward function.

The unit will automatically stall when end pressure on high-pressure side H is reached. If there is a pressure drop on the high pressure side due to consumption or leakage, the HP1 and HP2 units will automatically operate to maintain the end pressure.

Function Diagram



Connection types

Connection	IN / R	H1, S1, H2 & S2	D1 & D2
1	1/2" BSP	1/2" BSP	1/8" BSP

Max. tightening torque BSP

	IN / R	H
	1/2" BSP	1/2" BSP
with steel washer	13.0 da/ Nm	13.0 da/ Nm
with aluminium washer	7.0 da/ Nm	–
with cutting edge	13.0 da/ Nm	13.0 da/ Nm

Fluids

Media 1: Recognized hydraulic fluids, glycol solutions (Min > 5%)

Media 2: Hydraulic fluids, glycol

Please note! For other media, such as methanol, please contact miniBOOSTER

Materials

- Body, cast iron, internal components, steel: External surface, zinc chromate finish
- Dynamic seals, H- pur (other seal systems available)

Ordering a HC6D2

Ordering example of a HC6D2 with $i = 3.9$,
with BSP connections: HC6D2 - 3.9 - A - 1HH

Model	Intensification, i	Dump Valve	Connections
HC6D2	your selection...	your selection...	your selection...
	see flow rate table	A = (no) / A model	1