

Inclined position

for rotary module 20064-019



Material:

Housing in high-strength aluminium

Surface finish:

Housing anodized

Sample order:

nIm 20084-019

Note:

Maintenance-free pneumatic inclined position.

For implementation of a third position with Rotary Module 20064-019.

Control by 5/2 directional valve. Drive ensues via compressed air, 4-8 bar, constant, filtered (10 µm), dried, oiled or unoled. Compressed air connection R1/8.

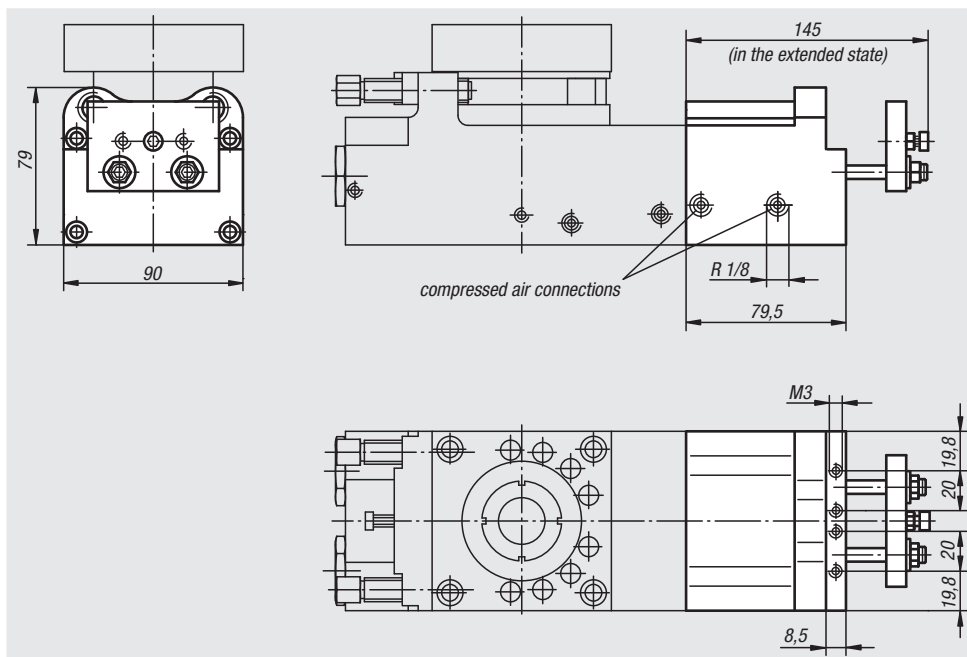
Adjustment range $\pm 20^\circ$ based on 90° .

Repeat accuracy $\pm 0.01^\circ$.

Proximity switch, connector cable and exhaust throttle are included in delivery.

Accessory:

Shock absorber.



| Order No. | Size | Torque (swivel unit, pressure-free) Nm | Torque (swivel unit, pressurised at 6 bars) Nm | Cylinder- Ø | Air consumption per cycle at 6 bar (ccm) | Approx. weight kg | Suitable shock absorber |
|-----------|------|--|--|----------------|--|-------------------------|-------------------------|
| 20084-019 | 9 | 20,26 | 5,36 | 63 | 186 | 1,250 | 26310-1410012 |