

Inductive proximity switches

housing shape, rectangular



Material:

Housing in die cast zinc alloy;
active surface in POM

Surface finish:

Voltage: $U = 10 - 30$ V DC
Function: Normally open
Connection type: PNP
Mounting type: flush
Security type: IP 67

Sample order:

nIm 20905-010

Note:

Non-contact, wear-free mode of operation, as well as high switching frequency and switching accuracy. Non-sensitive to vibrations, dust and moisture. Inductive sensors record all metals without contact.

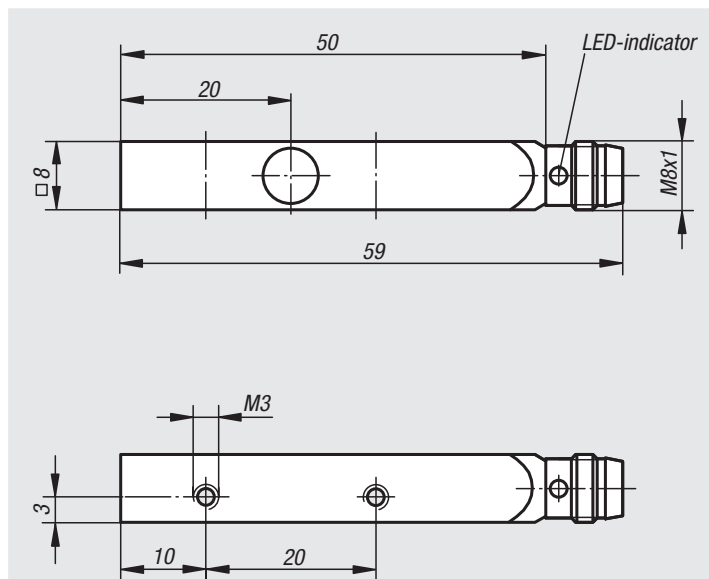
Short-circuit proof and reverse-polarity protected.

Temperature range:

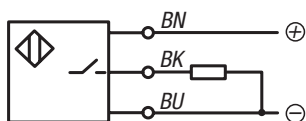
-25°C to $+70^{\circ}\text{C}$

Safety:

This product is not suited as a sensor for the protection of persons.



Connection diagram:



BN = brown
BK = black
BU = blue

Order No.	Switching distance S_n (mm)	Electricity I max. (mA)	Switching frequency f (Hz)	Connection type	Number of conductors x conductor cross-section
20905-010	1,5	200	5000	plug connector	3