

Inductive proximity switches

with threaded holder



Material:

Housing in stainless steel or brass nickel-plated;
active surface in PBT or PA 12

Surface finish:

Voltage: $U = 10 - 30$ V DC
Function: Normally open
Connection type: PNP
Mounting type: flush
Security type: IP 67

Sample order:

nIm 20910-010X5000 or to DIN specifications.

Note:

Non-contact, wear-free mode of operation, as well as high switching frequency and switching accuracy. Non-sensitive to vibrations, dust and moisture. Inductive sensors record all metals without contact.

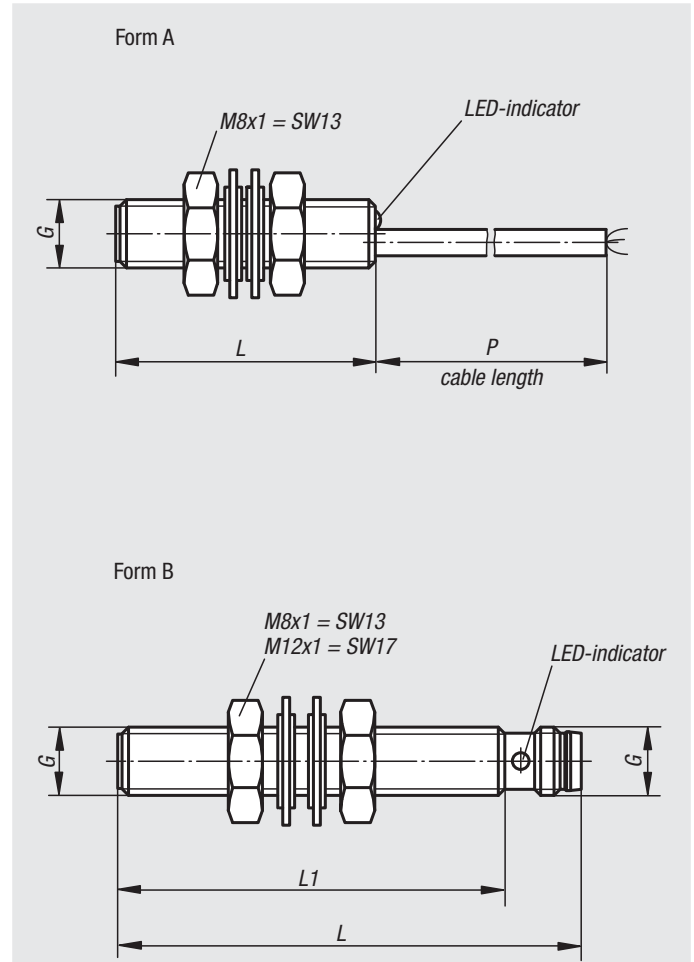
Short-circuit proof and reverse-polarity protected.

Temperature range:

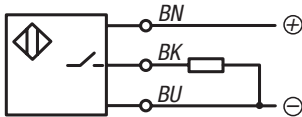
-25 °C to $+70$ °C.

Safety:

This product is not suited as a sensor for the protection of persons.



Connection diagram:



BN = brown
BK = black
BU = blue

Order No.	Material	Form	G	L	L1	P	Material active surface	Switching distance S_n (mm)	Electricity I max. (mA)	Switching frequency f (Hz)	Connection type	Number of conductors x conductor cross-section
20910-010X5000	stainless steel	A	M8x1	30	-	5000	PBT	1,5	200	3000	PUR cable	3 x 0,14 mm ²
20910-020	stainless steel	B	M8x1	45	34,5	-	PBT	2	200	1500	plug connector	3
20910-030	stainless steel	B	M8x1	55	44,5	-	PBT	2	200	1500	plug connector	3
20910-040	brass	B	M8x1	59	50	-	PA 12	1,5	100	1000	plug connector	3
20910-050	brass	B	M8x1	59	50	-	PA 12	2	200	700	plug connector	3
20910-060	brass	B	M12x1	65	50	-	PA 12	2	200	1200	plug connector	3
20910-070	brass	B	M12x1	65	50	-	PA 12	4	200	500	plug connector	3