

Dovetail slides



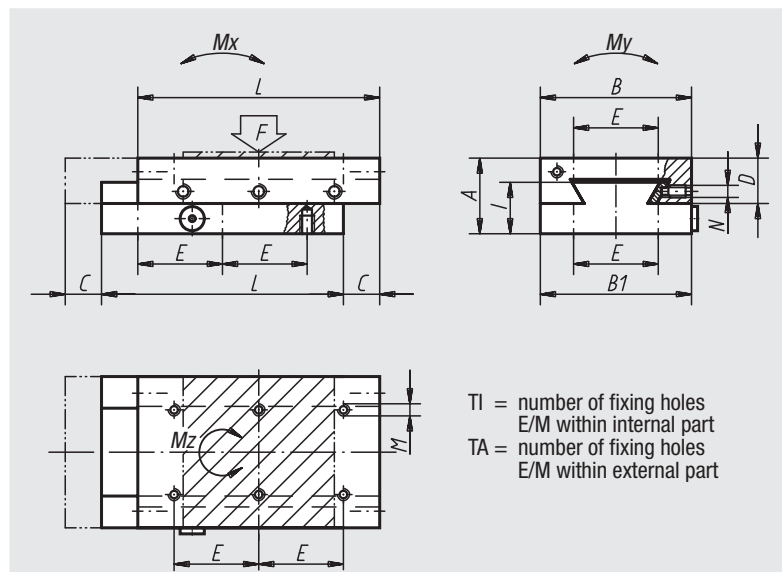
Material:
GJL 250.

Surface finish:
Natural finish, ground

Sample order:
nlm 21030-050105

Note:

These high-precision dovetail slides are particularly used to build machines and mechanical systems, metrology devices for the optical industry and in precision mechanical engineering. The central adjustment screw „N“ can also be replaced by a clamp lever part no. 06460. The stated permissible load values (F) are designed for dynamic stress with a lifespan of 1 million lifting operations. For static stress the permissible load is equal to 10 times the value F. The torque values apply only if the dovetail slides are centred.



Order No.	A	B	B1	C	D	E	TI	TA	I	L	M	N	F (N)	Mx Nm	My Nm	Mz Nm	Approx. weight kg
21030-050080	25	50	49,5	15	15	28	6	6	17,6	80	M4	M5	72	4	6	5	0,710
21030-050105	25	50	49,5	20	15	28	8	8	17,6	105	M4	M5	95	7	7	8	0,930
21030-050130	25	50	49,5	25	15	28	10	10	17,6	130	M4	M5	117	10	9	12	1,150
21030-075105	32	75	74,5	20	19,5	62	4	4	22,5	105	M5	M5	128	9	15	10	1,770
21030-075130	32	75	74,5	25	19,5	62	4	4	22,5	130	M5	M5	159	14	18	15	2,190
21030-100110	40	100	99,5	20	24	86	4	4	27,5	110	M6	M6	156	11	26	12	3,120
21030-100135	40	100	99,5	25	24	86	4	4	27,5	135	M6	M6	192	17	32	19	3,820
21030-100160	40	100	99,5	30	24	86	4	4	27,5	160	M6	M6	227	24	37	26	4,530