

Miniature roller sliders



Material, surface finish:

Outer casing made of black anodized aluminium. Ground steel carriage and bearing support. Internal part hardened.

Sample order:

n1m 21035-030080

Note:

Roller sliders that are pre-stressed and adjusted with „N“ adjustment screws slide freely and effortlessly.

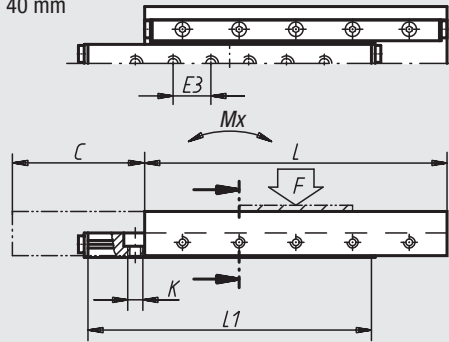
The fixing holes „K“ can also be used as threaded holes or transit holes.

F = permissible load for dynamic and static use.

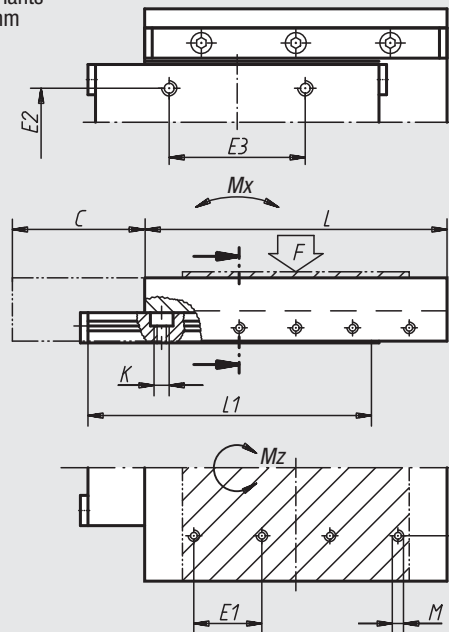
The stated permissible load values (F) are designed for a lifespan of 1 million lifting operations.

The torque values apply only if the dovetail slides are centred.

Width variants
B = 30 + 40 mm



Width variants
B = 60 mm



TI = number of fixing holes
E3/K within internal part

TA = number of fixing holes
E1/M within external part

GI = number of borehole rows
within internal part

K = thread M4 with counterbore
for M3 to DIN 974-1

Order No.	Type	A	B	B1	C	D	E	E1	E2	E3	TI	TA	GI	I	K	L	L1	M	N	F (N)	Mx Nm	My Nm	Mz Nm	Approx. weight kg
21035-030035	MRON	12	30	10	12	11,7	10	10	-	10	2	6	1	6,3	M4	35	30	M3	M3	168	1	1,9	2	0,060
21035-030050	MRON	12	30	10	18	11,7	10	10	-	10	2	6	1	6,3	M4	50	45	M3	M3	245	3,5	2,6	5,2	0,080
21035-030065	MRON	12	30	10	24	11,7	10	20	-	10	4	6	1	6,3	M4	65	60	M3	M3	361	4,7	3,9	7,9	0,100
21035-0300501	MROL	12	30	10	34	11,7	10	10	-	10	2	6	1	6,3	M4	50	45	M3	M3	131	2,2	1,9	3,3	0,080
21035-0300651	MROL	12	30	10	48	11,7	10	20	-	10	4	6	1	6,3	M4	65	60	M3	M3	161	3,5	2,6	5,2	0,100
21035-030080	MRON	12	30	10	30	11,7	10	20	-	10	6	6	1	6,3	M4	80	75	M3	M3	432	9,1	4,5	13,3	0,130
21035-030095	MRON	12	30	10	40	11,7	10	20	-	10	8	10	1	6,3	M4	95	90	M3	M3	466	11,6	5,1	16,9	0,150
21035-040055	MRON	15	40	14,4	20	14,7	20	20	-	20	2	6	1	8,3	M4	55	50	M3	M3	231	4,6	4,6	6,8	0,140
21035-040080	MRON	15	40	14,4	30	14,7	20	20	-	20	2	6	1	8,3	M4	80	75	M3	M3	487	10,3	7,6	15,3	0,200
21035-040105	MRON	15	40	14,4	40	14,7	20	20	-	20	4	10	1	8,3	M4	105	100	M3	M3	689	18,6	10,6	27,3	0,270
21035-040155	MROL	15	40	14,4	120	14,7	20	20	-	20	6	14	1	8,3	M4	155	150	M3	M3	489	23,7	12,2	34,8	0,410
21035-060055	MRON	17	60	30,6	20	16,7	36	18	18	18	4	4	2	8,3	M4	55	50	M3	M4	294	4,6	7	6,9	0,660
21035-060080	MRON	17	60	30,6	30	16,7	36	18	18	36	4	8	2	8,3	M4	80	75	M3	M4	492	10,4	11,6	15,5	0,800
21035-060105	MRON	17	60	30,6	40	16,7	36	18	18	36	4	12	2	8,3	M4	105	100	M3	M4	697	18,8	16,2	27,6	0,930

01000
02000
03000
04000
05000
06000
07000
08000
09000
20000
21000
22000
23000