

Long positioning tables

with position indicator

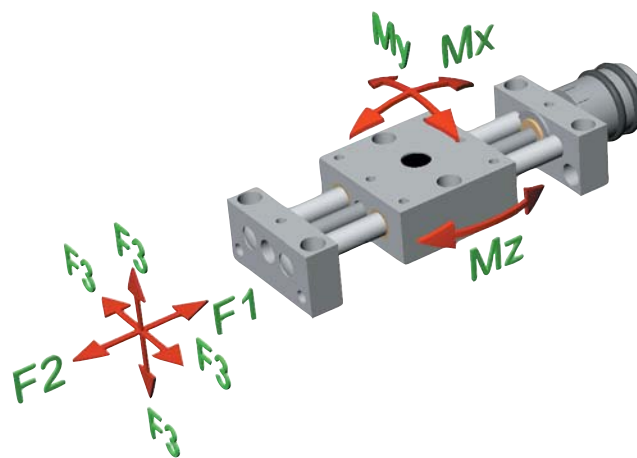
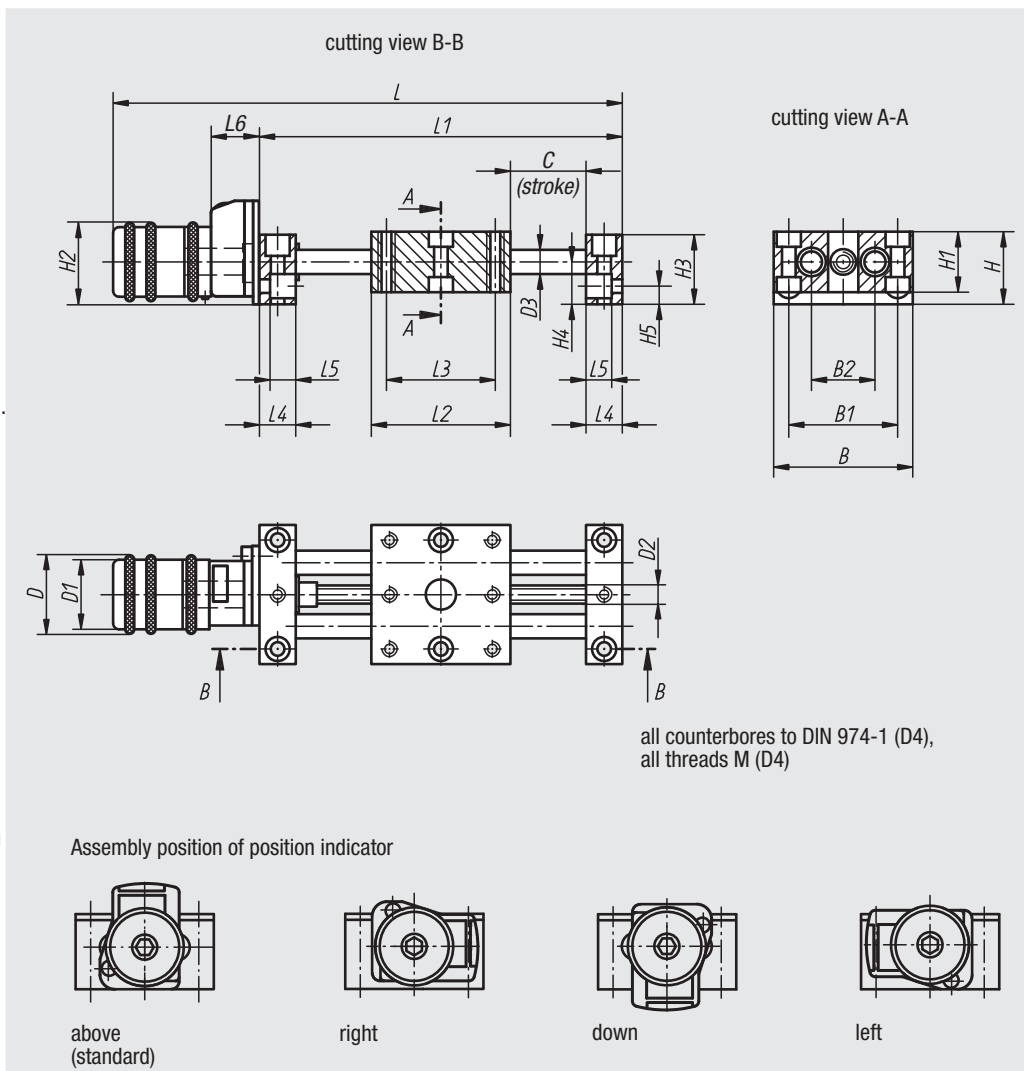


Material:
Support bearing and carriage made of anodized aluminium alloy. Ground stainless steel guiding columns. Stainless steel screw with rolled thread. Guiding: smooth maintenance-free bearings. Position indicator in plastic

Surface finish:
Specifications: Radial guidance play < 0.02 mm, no axial play. Self-locking screw with additional locking system.

Sample order:
nlm 21122-08

Note:
Owing to the virtually play-free guides and the absolutely play-free spindle, no loosening and clamping is required upon disassembly. Digital position indicators with 0.1 mm indication accuracy, numbers ascending upon rightward rotation. The indication value of the digital position indicator can be adjusted by turning the red actuator ring without tool. The assembly position of the position indicator can be set in 4 positions by means of a screw. With category 25 are 3 positions (above, right and left) possible. Because of its modular design, the positioning table can be easily combined with the accessories of its category.



Order No.	B	B1	B2	C	D	D1	D2	D3	D4	H	H1	H2	H3	H4	H5	L	L1	L2	L3	L4	L5	L6	F1 (N)	F2 (N)	F3 (N)	Mx Nm	My Nm	Mz Nm	Approx. weight kg
21122-08	46	36	21	48	26	23	M6x1	8	4	24	20	27	23	14	6	175	120	46	36	12	8,5	23	200	200	200	3,6	3,6	3,6	0,324
21122-12	75	60	38	73	26	23	M6x1	12	6	28	25	28,5	27	15,5	7	235	180	75	60	15	11	23	300	300	300	18	18	18	0,839
21122-25	150	130	90	86	52	46	M16x2	25	10	53	50	54	52	28	13	388	290	150	130	25	18	36	1000	1000	1000	65	65	18	6,300

01000
02000
03000
04000
05000
06000
07000
08000
09000
20000
21000
22000
23000