

Lift tables



Material:

Lift table, bearing blocks and scale knob Al alloy, anodized;
 guiding columns stainless steel, polished;
 spindle stainless steel, rolled thread;
 guide, slide bearing, maintenance-free

Surface finish:

Backlash of the guide less than 0.05 mm; spindle self-locking, additionally clampable

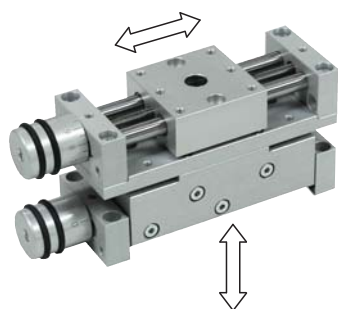
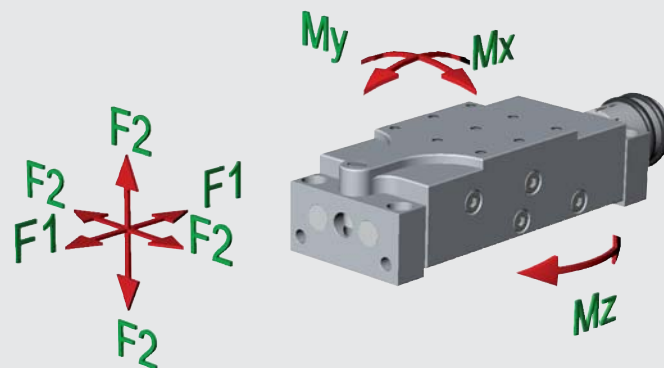
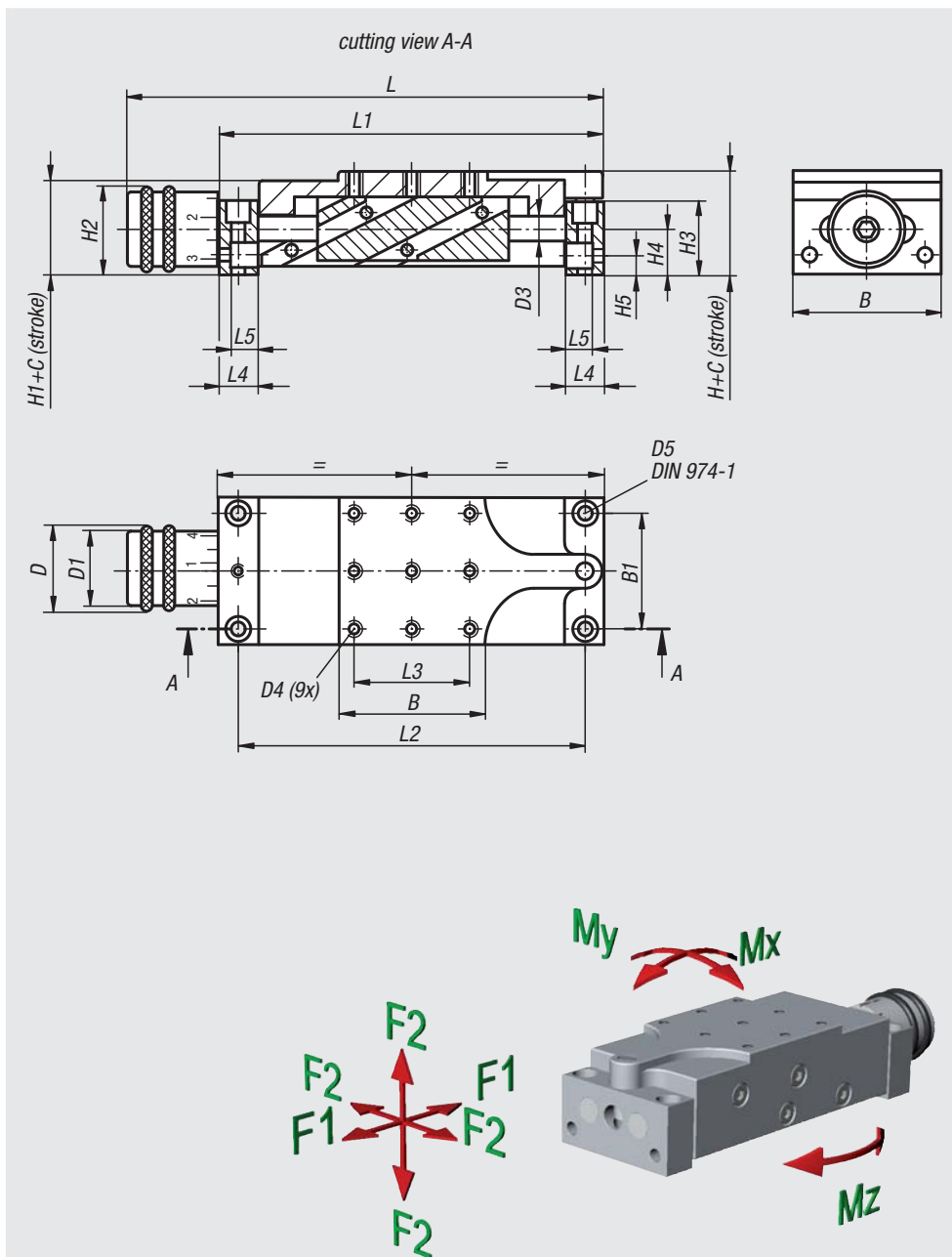
Sample order:

n1m 21140-04

Note:

For height-positioning of components and assemblies of all types (e.g., stops, sensors, limit switches, tables, cameras, entire assemblies, etc.). The lift table is height-adjustable by turning the scale knob manually. One graduation line of the scale knob corresponds to 0.1 mm of lifting motion.

Because of its modular design, the lift table can be easily combined with the accessories of its category.



Order No.	B	B1	C	D	D1	D3	D4	D5	H	H1	H2	H3	H4	H5	L	L1	L2	L3	L4	L5	F1 (N)	F2 (N)	Mx Nm	My Nm	Mz Nm	Approx. weight kg
21140-04	29	22	4	13	12	4	M3	3	19	17	14	13	8	4	84,5	70	62	22	8	6	30	50	0,5	0,5	2	0,091
21140-08	46	36	8	26	23	8	M4	4	32	29	27	23	14	6	148,5	120	108	36	12	8,5	80	100	2,5	2,5	5	0,462
21140-12	75	60	12	26	23	12	M6	4	38	36	28,5	27	15,5	7	209	180	165	60	15	11	150	200	10	10	20	1,360
21140-25	150	130	25	52	46	25	M10	6	68	64	54	52	28	13	347	290	265	130	25	18	500	700	50	50	100	7,900