

Turning devices



Material, surface finish:

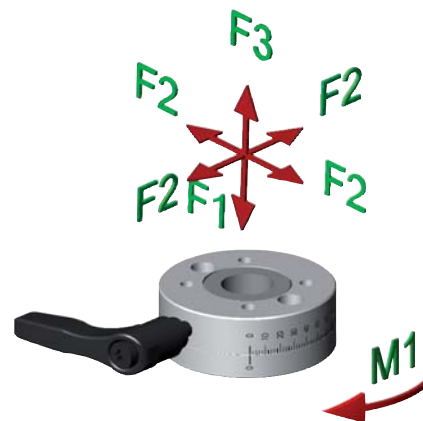
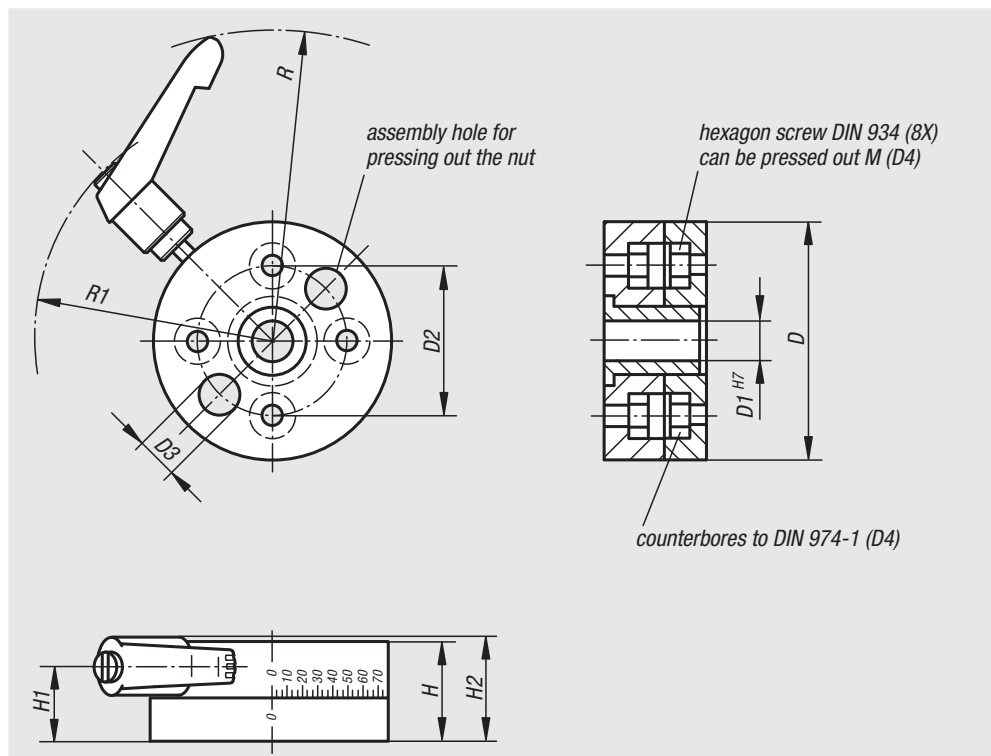
Base and turning device made of anodised aluminium alloy.
Shaft in stainless steel.

Sample order:

nIm 21150-04

Note:

By loosening the clamp levers, the turning device can be rotated on the base. Revolving at 360°. The turning device catches every 90° (21150-25 every 45°). The catching derives from a ball pressure piece which can be easily disconnected. A 2° precise graduation serves as the angularity. Because of its modular design, the turning device can be easily combined with the accessories of its category.



Order No.	D	D1	D2	D3	D4	H	H1	H2	R	R1	F1 (N)	F2 (N)	F3 (N)	M1 Nm	Approx. weight kg
21150-04	35	6	22	6	3	15	9,5	16,5	64	44	200	200	100	2	0,070
21150-08	54	16	36	8	4	20	13,5	20,5	73	56	500	500	200	10	0,160
21150-12	80	25	60	13	6	25	17,5	24,5	85	69	500	500	200	15	0,420
21150-25	150	55	130	18,5	10	40	26	35,5	139	110	1000	500	500	50	2,320

01000
02000
03000
04000
05000
06000
07000
08000
09000
20000
21000
22000
23000