

# Swivel angle

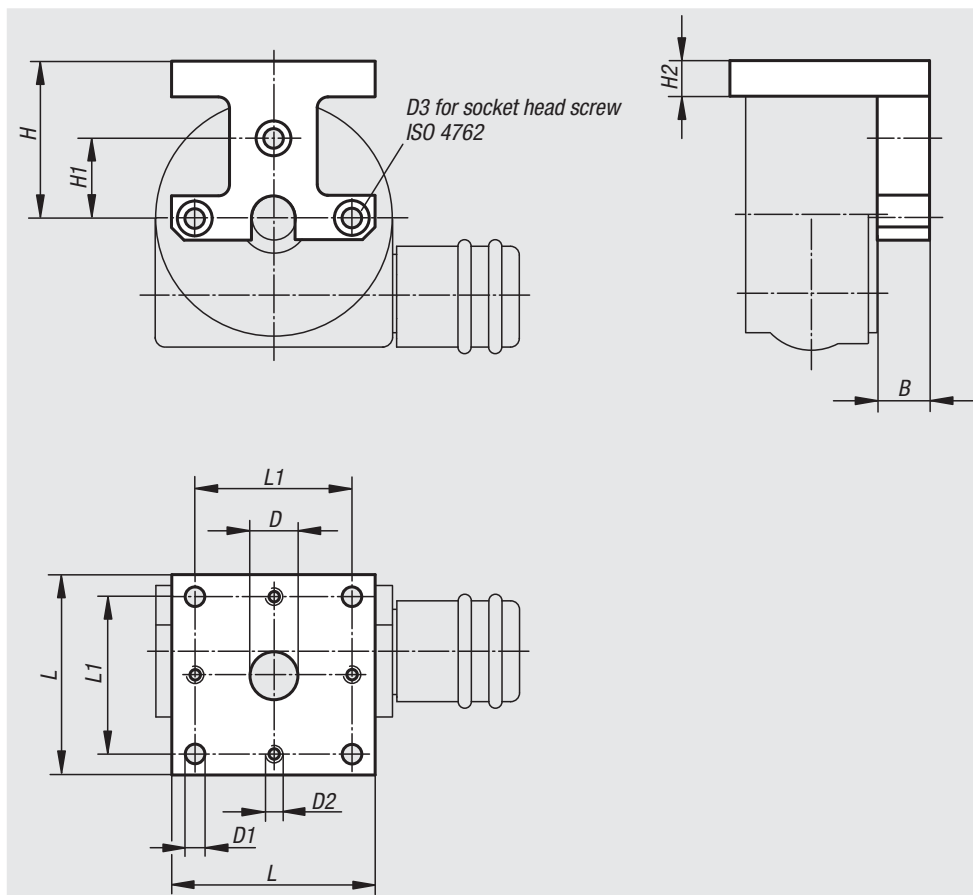


**Material:**  
Aluminium alloy

**Surface finish:**  
Milled and anodized

**Sample order:**  
nlm 21162-04

**Note:**  
The swivelling angle is assembled at the positioning round table and hence offers enhanced possibilities for assembly.  
Suitable for 21160 in the respective size.



Order No.	B	D	D1	D2	D3	H	H1	H2	L	L1	Approx. weight kg
21162-04	7	6	3,3	M3	M3	22	11	6	29	22	0,017
21162-08	12	11	4,5	M4	M4	36	18	8	46	36	0,064
21162-12	20	16	6,5	M6	M6	51	30	10	75	60	0,237
21162-25	25	40	11	M10	M10	98	65	20	150	130	1,746