

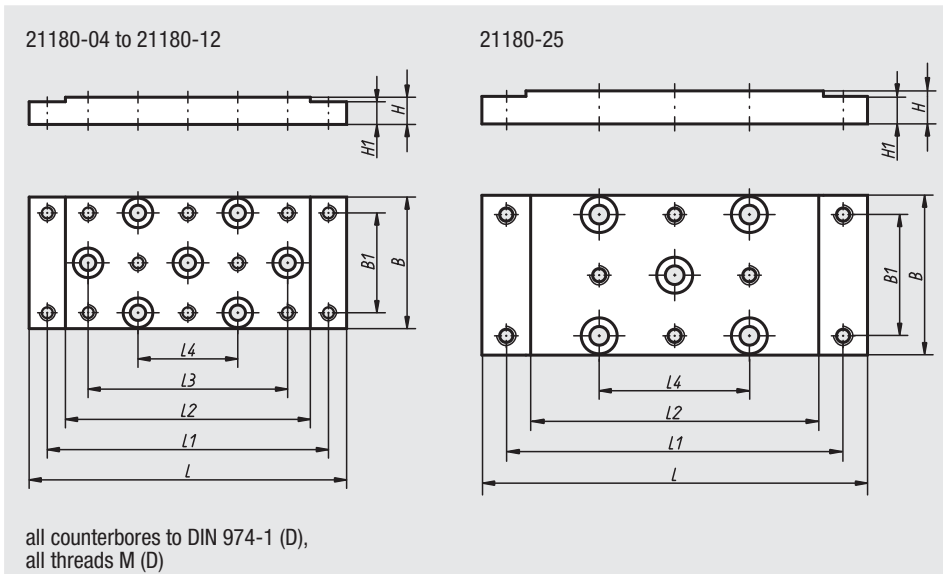
## Base plates



**Material, surface finish:**  
Anodized aluminium alloy

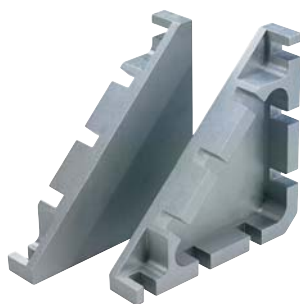
**Sample order:**  
nlm 21180-04

**Note:**  
Suitable for 21100, 21102, 21120, 21122, 21150, 21160, 21162 and 21190 in the respective size.



Order No.	B	B1	D	H	H1	L	L1	L2	L3	L4	Approx. weight kg
21180-04	29	22	3	6	5	70	62	54	44	22	0,027
21180-08	46	36	4	8	6	120	108	96	72	36	0,103
21180-12	75	60	6	12	10	180	165	150	120	60	0,410
21180-25	150	130	10	20	18	290	265	240	-	130	2,180

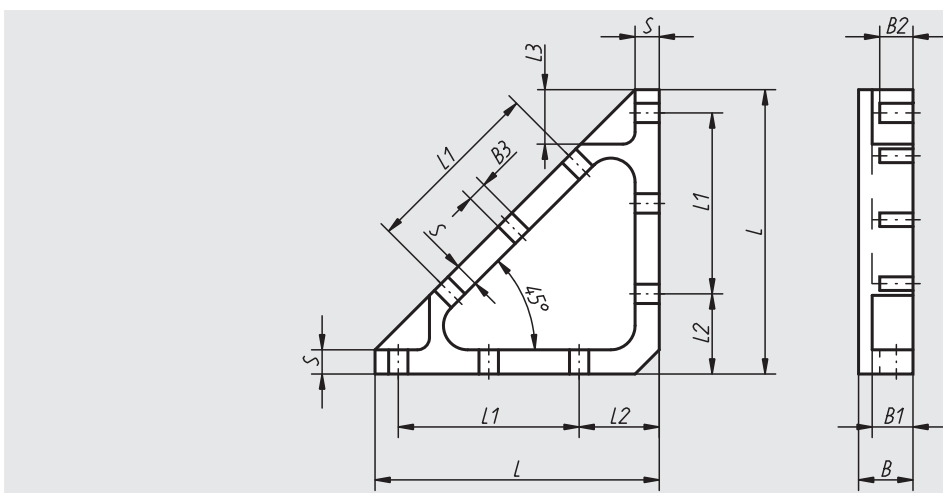
## Angle plates



**Material, surface finish:**  
Milled anodized aluminium alloy

**Sample order:**  
nlm 21190-04

**Note:**  
Suitable for 21100, 21102, 21120, 21122, 21150, 21160, 21162 and 21180 in the respective size.



Order No.	B	B1	B2	B3	L	L1	L2	L3	S	Approx. weight kg
21190-04	8	6	4,5	3,3	40	22	14,5	8	3	0,010
21190-08	12	10	8	4,5	58	36	17	11	4	0,025
21190-12	18	13,5	10,8	6,6	94	60	26,5	17,5	8	0,126
21190-25	25	20	15,5	11	180	130	35	31	15	0,591