

# Roller guide rails



**Material:**  
Steel

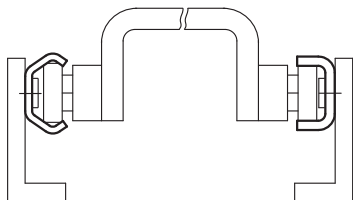
**Surface finish:**  
Galvanized

**Sample order:**  
nlm 21320-120X0800 (please also indicate dimension L)

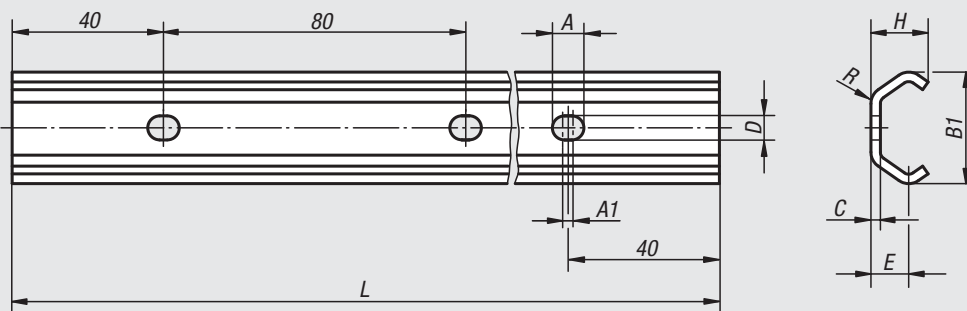
**Note:**  
Stamped and rolled guide rails.

The fixed bearing rail is the main absorber of radial and axial forces. The floating bearing rail serves to absorb the load of radial forces and, in combination with the fixed bearing rail, as a support bearing for absorbing torques that occur. In the connection of the fixed and the floating bearings, the floating bearing rail compensates for parallelism errors and tolerances.

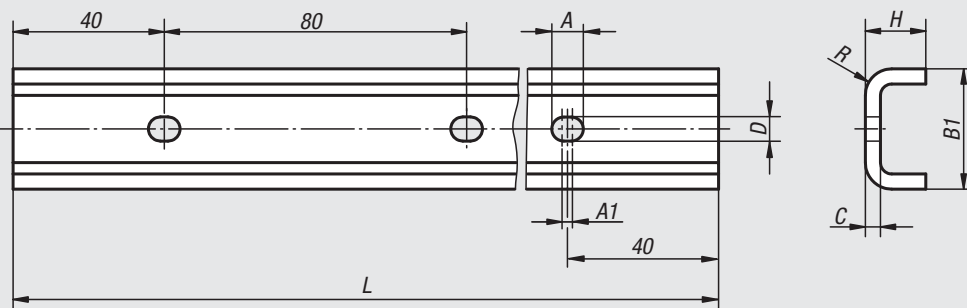
**On request:**  
Lengths up to a max. 3120 mm.



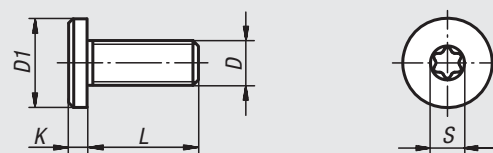
roller guide rail for fixed bearing



roller guide rail for floating bearing



fastening screw



## Roller guide rails for fixed bearing

Order No.	Size	A	A1	B1	C	D	E	H	L	R	Approx. weight kg/m
21320-120X	20	7	2	19,2	2	5	7	10	800/1040/2080/3120	3	0,470
21320-130X	30	8,4	2	29,5	2,5	6,4	10	15	800/1040/2080/3120	4,5	0,900
21320-145X	45	11	2	46,4	4	9	15,5	24	800/1040/2080/3120	6,5	2,290

## Roller guide rails for floating bearing

Order No.	Size	A	A1	B1	C	D	H	L	R	Approx. weight kg/m
21320-220X	20	7	2	20,5	3	5	11	800/1040/2080/3120	5,5	0,770
21320-230X	30	8,4	2	31,8	4	6,4	16	800/1040/2080/3120	7	1,390
21320-245X	45	11	2	44,8	4,5	9	24,5	800/1040/2080/3120	9,5	2,790

## Fastening screws

Order No.	D	D1	K	L	S	Suitable for	Tightening torque Nm
21320-0408	M4	8	2	8	T20	size 20	4
21320-0510	M5	10	2	10	T25	size 30	9
21320-0816	M8	16	3	16	T40	size 45	22