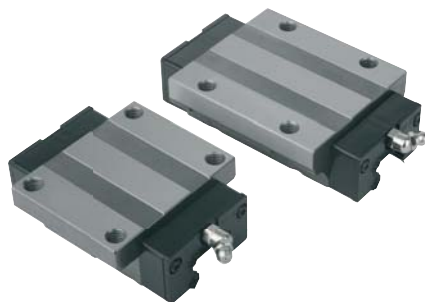


Carriages

with flange



Material:
Body in tempered steel
Balls, roller bearing steel.
Diverters, plastic.

Surface finish:
Natural finish

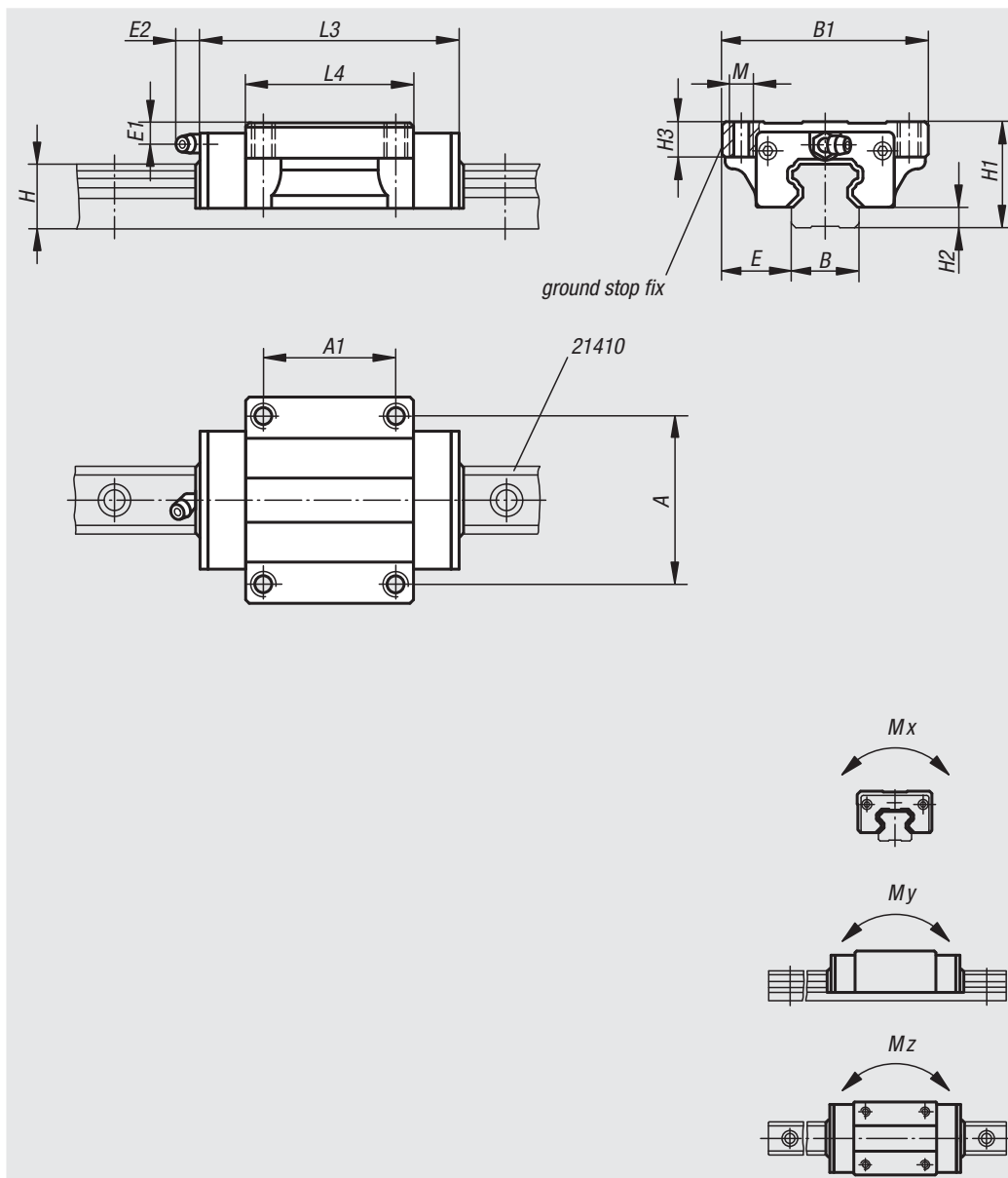
Sample order:
nlm 21402-15106601

Note:
Standard carriage with flange with revolving ball guidance according to accuracy N without pre-stressing (Z0). With double-sided close-off seal. 4-row versions with round arch profile. The tracks of the profile guide rails are set below an angle of 45° and thus can carry loads from all directions.

High dynamic values: $v = 5 \text{ m/s}$.

Application temperature in continuous operation at max. 80 °C.

On request:
Various accuracies and pre-stressing classes available.



Order No.	Surface finish	Size	Mx Nm	My Nm	Mz Nm	Dynamic base loads N	Static base loads N	Lubrication hole
21402-15106601	standard	15	70	50	50	6850	12700	Ø3
21402-20107801	standard	20	220	180	180	14500	25600	M6x1
21402-25108801	standard	25	360	320	310	21400	40000	M6x1
21402-30110901	standard	30	600	500	490	29800	54900	M6x1
21402-25211001	long	25	504	448	434	29960	56000	M6x1
21402-30213101	long	30	785	650	650	39000	71900	M6x1

Order No.	Surface finish	Size	A	A1	B	B1	E	E1	E2	H	H1	H2	H3	L3	L4	M	Approx. weight kg
21402-15106601	standard	15	38	30	15	47	16	4,3	5	14	24	4,6	8	66	40	M5	0,190
21402-20107801	standard	20	53	40	20	63	21,5	5	13,5	18	30	5	9	77,8	48,8	M6	0,400
21402-25108801	standard	25	57	45	23	70	23,5	5	13,5	22	36	7	12	88	57	M8	0,570
21402-30110901	standard	30	72	52	28	90	31	7	13	26	42	9	12	109	72	M10	1,100
21402-25211001	long	25	57	45	23	70	23,5	5	13,5	22	36	7	12	110,1	79,1	M8	0,720
21402-30213101	long	30	72	52	28	90	31	7	13	26	42	9	12	131,3	94,3	M10	1,400

01000
02000
03000
04000
05000
06000
07000
08000
09000
20000
21000
22000
23000