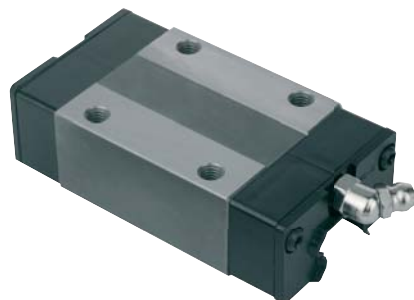


Carriages

compact



Material:

Body in tempered steel
Balls, roller bearing steel.
Diverters, plastic.

Surface finish:

Natural finish

Sample order:

nIm 21404-15106601

Note:

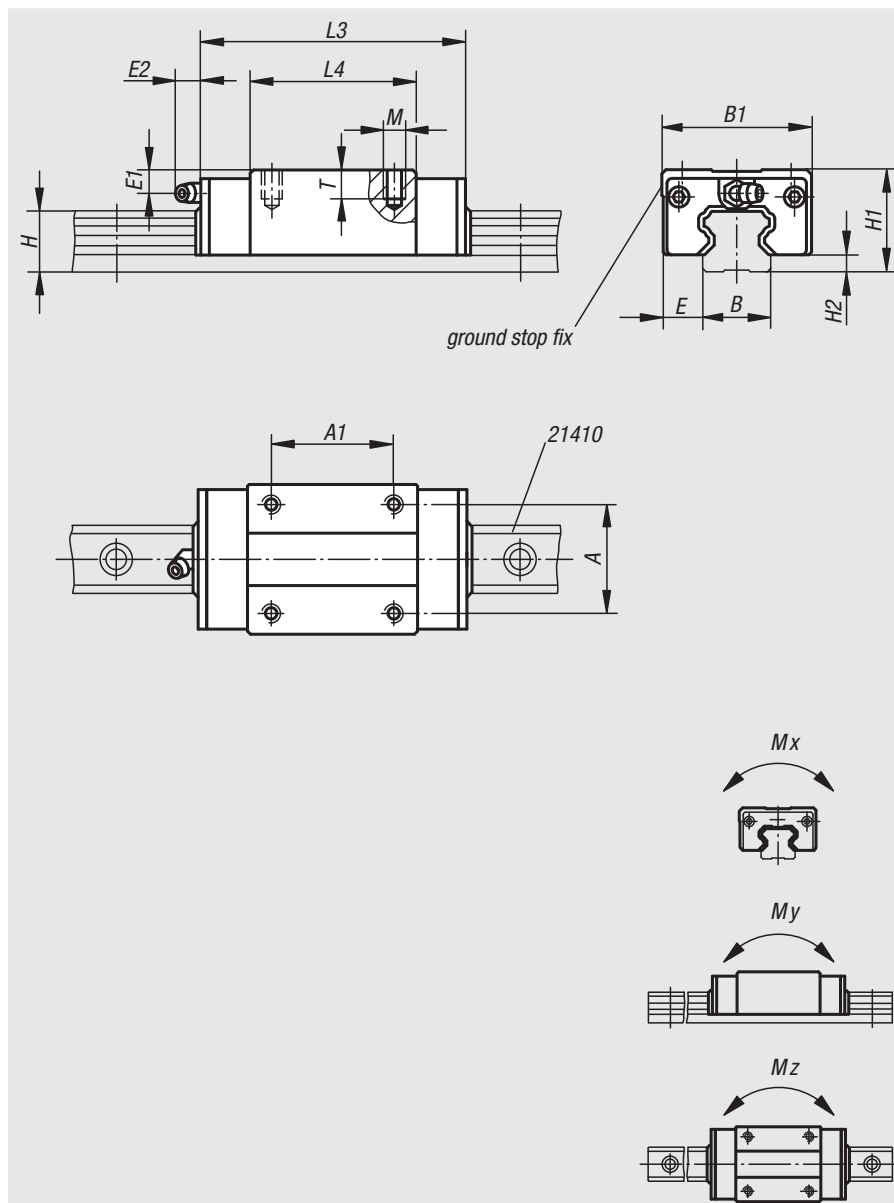
Standard carriage with revolving ball guidance according to accuracy N without pre-stressing (Z0). With double-sided close-off seal. 4-row versions with round arch profile. The tracks of the profile guide rails are set below an angle of 45° and thus can carry loads from all directions.

High dynamic values: $v = 5 \text{ m/s}$.

Application temperature in continuous operation at max. 80 °C.

On request:

Various accuracies and pre-stressing classes available.



Order No.	Size	Mx Nm	My Nm	Mz Nm	Dynamic base loads N	Static base loads N	Lubrication hole
21404-15106601	15	70	50	50	6850	12700	Ø3
21404-20107801	20	220	180	180	14500	25600	M6x1
21404-25108801	25	360	320	310	21400	40000	M6x1
21404-30110901	30	600	500	490	29800	54900	M6x1

Order No.	Size	A	A1	B	B1	E	E1	E2	H	H1	H2	L3	L4	M	T	Approx. weight kg
21404-15106601	15	26	26	15	34	9,5	4,3	5	14	24	4,6	66	40	M4	5,6	0,170
21404-20107801	20	32	32	20	42	11	5	13,5	18	28	5	77,8	48,8	M5	7	0,260
21404-25108801	25	35	35	23	48	12,5	4,8	13,5	22	33	7	88	57	M6	8,4	0,380
21404-30110901	30	40	40	28	60	16	7	13	26	42	9	109	72	M8	11,2	0,810