

# Linear ball bearings

with plastic cage



**Material:**  
Outer cover, roller bearing steel.  
Plastic cage.  
Balls, steel.

**Sample order:**  
nlm 21500-1202

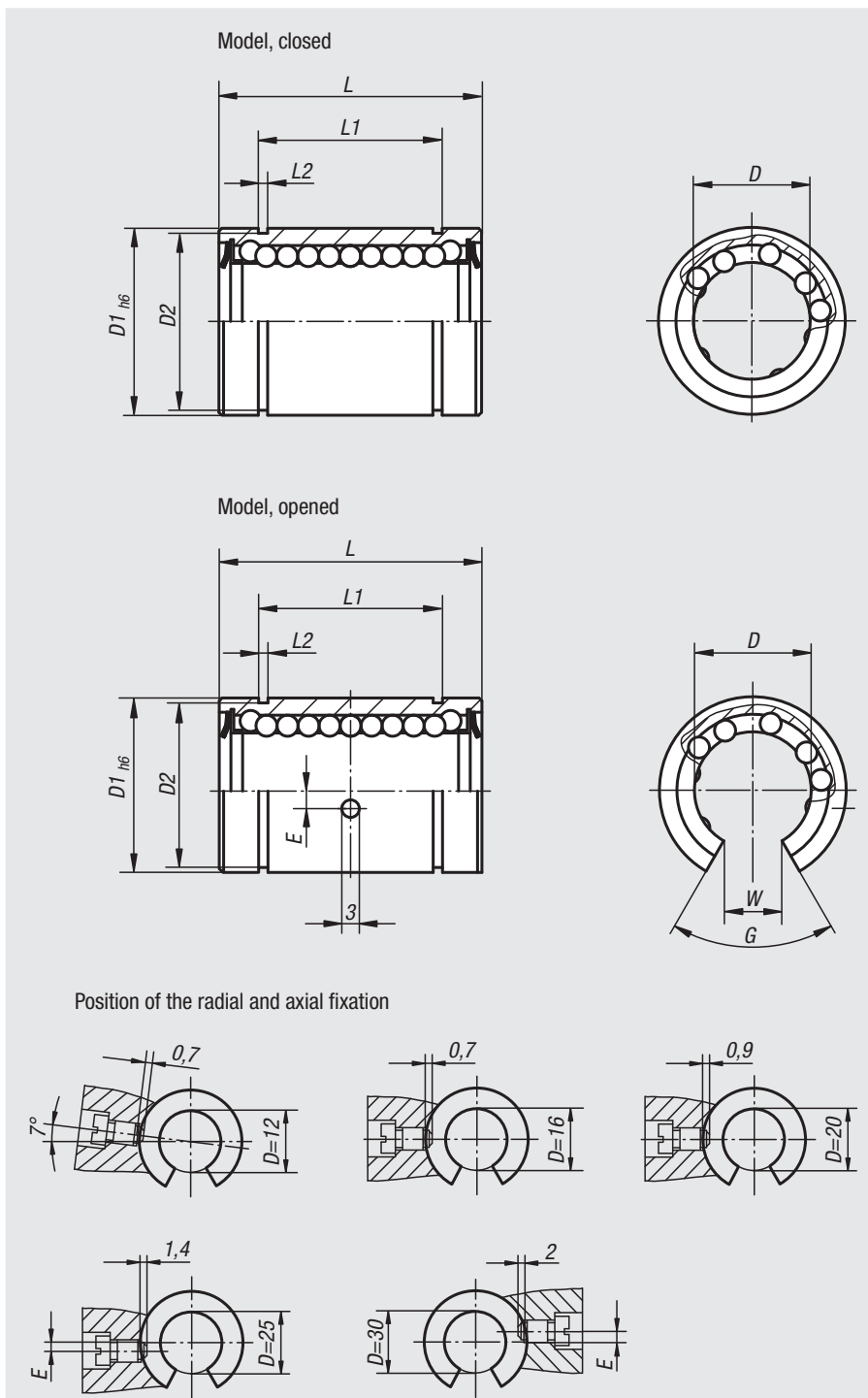
**Note:**  
The linear ball bearings correspond to series 3 of ISO 10285. With double-sided seal. The linear ball bearings are equipped with a plastic cage. This makes for an quiet run and outstanding run quality. In the case of application temperatures above +80 °C, linear ball bearings with steel cage are recommended. The linear ball bearing is held in place by a retaining ring acc. to DIN 471/472.

**Recommended tolerances:**  
Shaft: h6  
Housing: H7

Linear ball bearings with double-sided seal should be lubricated before installation.

The specified basic load ratings apply upon insertion of hardened and ground shafts.

**Temperature range:**  
-20 °C up to +80 °C.



Order No. closed	Order No. open	D	D1	D2	E	G	L	L1	L2	W	Dynamic base loads N	Static base loads N	Approx. weight kg
21500-1202	-	12	22	21	-	-	32 -0,2	22,9 -0,2	1,3	-	520	800	0,040
21500-1602	21500-1612	16	26	24,9	-/0	-/78°	36 -0,2	24,9 -0,2	1,3	-/10	590	910	0,060
21500-2002	21500-2012	20	32	30,3	-/0	-/60°	45 -0,2	31,5 -0,2	1,6	-/10	880	1400	0,090
21500-2502	21500-2512	25	40	37,5	-/1,5	-/60°	58 -0,3	44,1 -0,3	1,85	-/12,5	1000	1600	0,210
21500-3002	21500-3012	30	47	44,5	-/2	-/50°	68 -0,3	52,1 -0,3	1,85	-/12,5	1600	2800	0,320