

Linear ball bearings

with steel cage



Material:

Outer cover, roller bearing steel.
Steel cage.
Balls, steel.

Sample order:

nIm 21505-1202

Note:

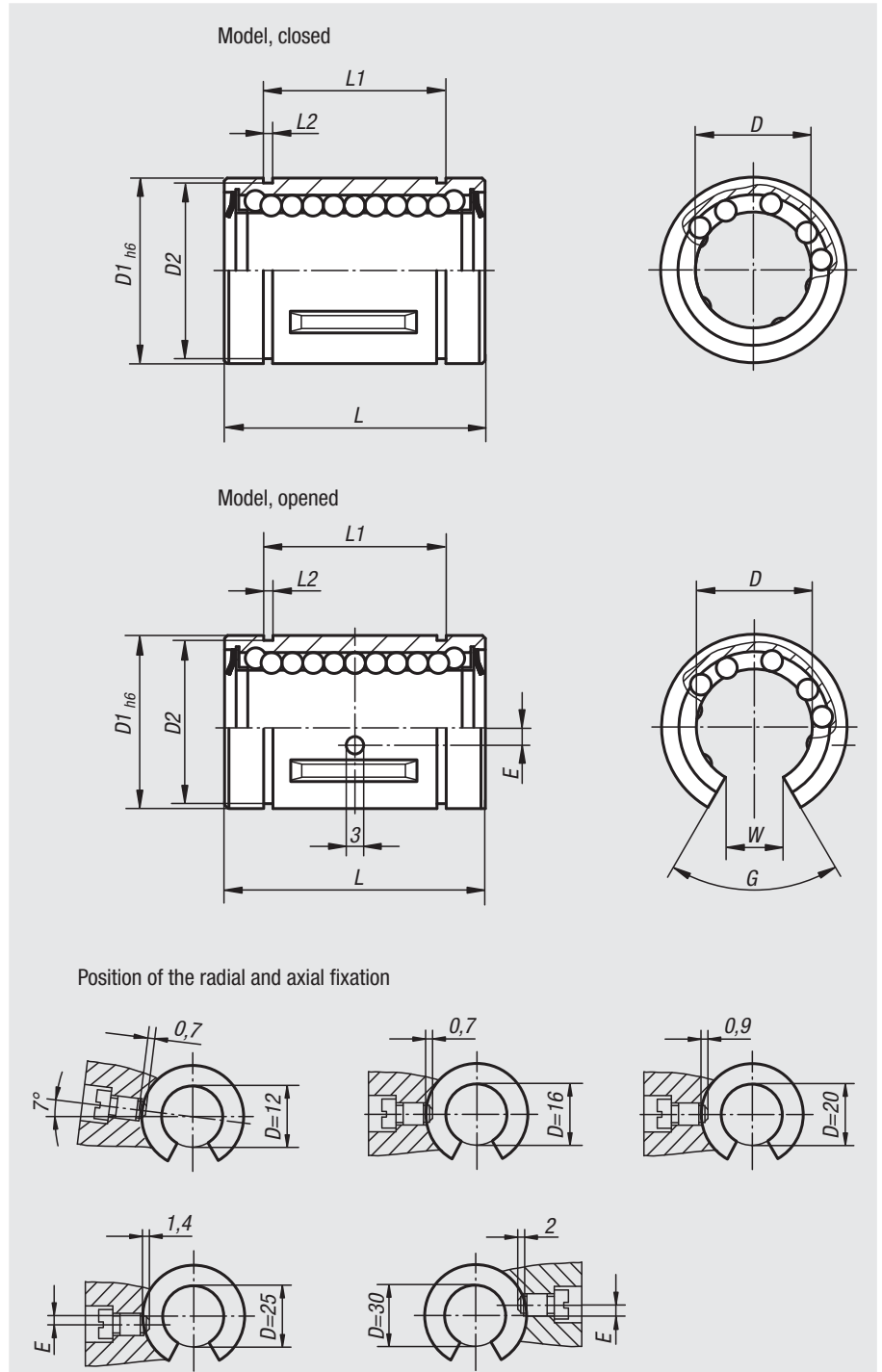
The linear ball bearings correspond to series 3 of ISO 10285. With double-sided seal. The linear ball bearings are equipped with a steel cage. The linear ball bearing is held in place by a retaining ring acc. to DIN 471/472.

Recommended tolerances:

Shaft: h6
Housing: H7

Linear ball bearings with double-sided seal should be lubricated before installation.

The specified basic load ratings apply upon insertion of hardened and ground shafts.



Order No. closed	Order No. open	D	D1	D2	E	G	L	L1	L2	W	Dynamic base loads N	Static base loads N	Approx. weight kg
21505-1202	21505-1212	12	22	21	-1,35	-78°	32 -0,2	22,9 -0,2	1,3	-7,5	420	714	0,050
21505-1602	21505-1612	16	26	24,9	-0	-78°	36 -0,2	24,9 -0,2	1,3	-10	686	1092	0,080
21505-2002	21505-2012	20	32	30,3	-0	-60°	45 -0,2	31,5 -0,2	1,6	-10	924	1610	0,110
21505-2502	21505-2512	25	40	37,5	-1,5	-60°	58 -0,3	44,1 -0,3	1,85	-12,5	1470	2590	0,220
21505-3002	21505-3012	30	47	44,5	-2	-50°	68 -0,3	52,1 -0,3	1,85	-12,5	2100	3920	0,290