

Linear ball bearings

with flange



Material:

Housing, steel.
Plastic cage.
Balls, steel.

Sample order:

nIm 21518-1202

Note:

The linear ball bearings correspond to series 3 of ISO 10285. With double-sided seal. The linear ball bearings are equipped with a plastic cage. This makes for an quiet run and outstanding run quality. With flange for direct mounting on the housing.

Recommended tolerances:

Shaft: h6
Housing: H7

Linear ball bearings with double-sided seal should be lubricated before installation.

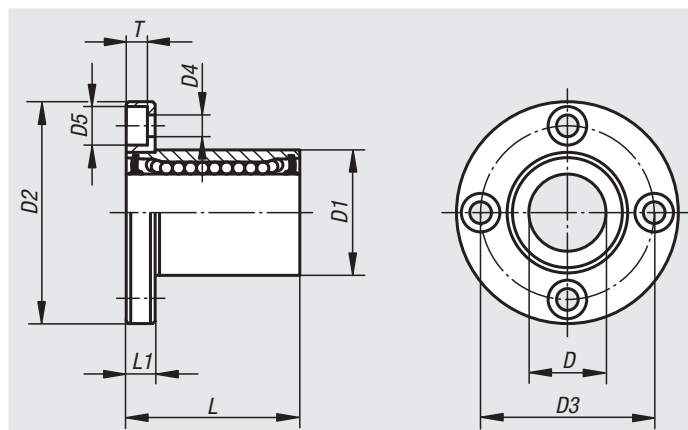
The specified basic load ratings apply upon insertion of hardened and ground shafts.

Temperature range:

-20 °C up to +80 °C.

Accessory:

Precision guide shafts 21595.
Fastening screws 07160.



Order No.	D	D1	D2	D3	D4	D5	L	L1	T	Dynamic base loads N	Static base loads N	Approx. weight kg
21518-1202	12	22	42	32	4,5	7,5	32	6	4,1	520	790	0,090
21518-1602	16	26	46	36	4,5	7,5	36	6	4,1	590	910	0,120
21518-2002	20	32	54	43	5,5	9	45	8	5,1	880	1400	0,190
21518-2502	25	40	62	51	5,5	9	58	8	5,1	1000	1600	0,340
21518-3002	30	47	76	62	6,6	11	68	10	6,1	1600	2800	0,550