

# Linear ball bearings

with flange, double bearing



**Material:**

Housing, steel.  
Plastic cage.  
Balls, steel.

**Sample order:**

nIm 21520-1202

**Note:**

The linear ball bearings correspond to series 3 of ISO 10285. With double-sided seal. The linear ball bearings are equipped with a plastic cage. This makes for an quiet run and outstanding run quality. With flange for direct mounting on the housing. Version as double bearing for insertion under torque load.

**Recommended tolerances:**

Shaft: h6  
Housing: H7

Linear ball bearings with double-sided seal should be lubricated before installation.

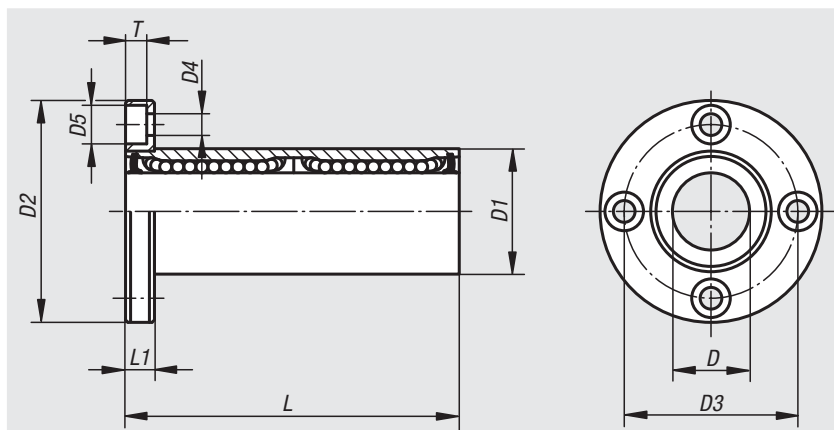
The specified basic load ratings apply upon insertion of hardened and ground shafts.

**Temperature range:**

-20 °C up to +80 °C.

**Accessory:**

Precision guide shafts 21595.  
Fastening screws 07160.



Order No.	D	D1	D2	D3	D4	D5	L	L1	T	Dynamic base loads N	Static base loads N	Approx. weight kg
21520-1202	12	22	42	32	4,5	7,5	61	6	4,1	657	1200	0,100
21520-1602	16	26	46	36	4,5	7,5	68	6	4,1	1230	2350	0,190
21520-2002	20	32	54	43	5,5	9	80	8	5,1	1400	2750	0,260
21520-2502	25	40	62	51	5,5	9	112	8	5,1	1560	3140	0,520
21520-3002	30	47	76	62	6,6	11	123	10	6,1	2490	5490	0,670