

# Linear housing units

individual, closed



**Material:**  
Housing in aluminium

**Surface finish:**  
Housing natural finish

**Sample order:**  
nlm 21530-121002

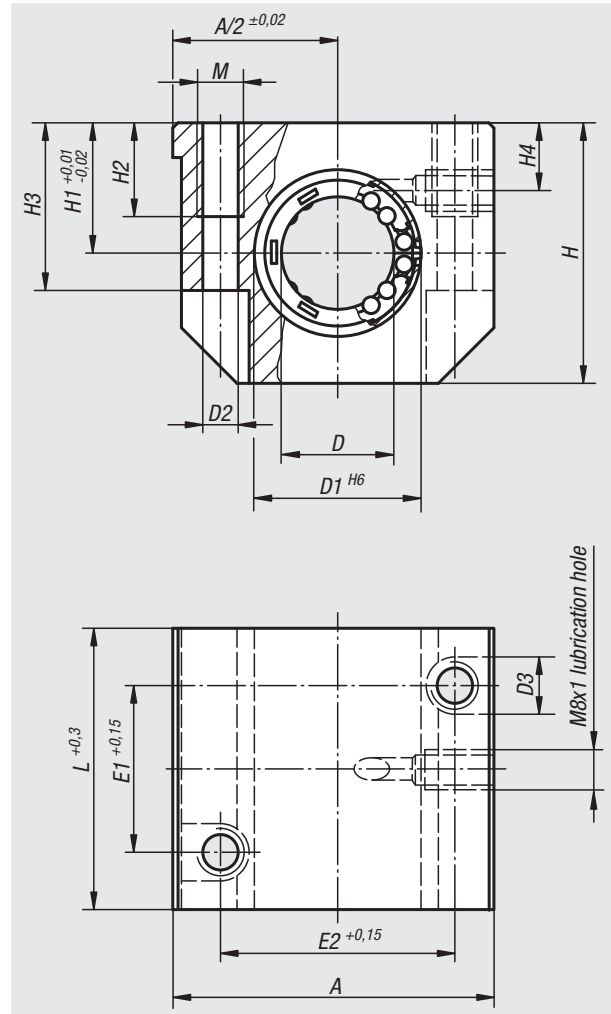
**Note:**  
The ready-to-install linear housing units consist of an extruded aluminium housing, installed linear ball bearings with angle error adjustment 21510 and double-sided seal. Mounting of the bearings within the housing with circlips DIN 472.

Recommended shaft tolerance: h6.

Basic load ratings according to specification of the linear ball bearings.

**On request:**  
Linear housing units can be equipped with all of the linear ball bearings presented in this catalogue.

**Accessory:**  
Attachment seals 21560.  
Precision guide shafts 21595.  
Fastening screws 07160 or 07161.



Order No.	A	D	D1	D2	D3	E1	E2	H	H1	H2	H3	H4	L	M	Approx. weight kg
21530-121002	43	12	22	4,2	8	23	32	35	18	13	25	10	39	M5	0,130
21530-161002	53	16	26	5,2	10	26	40	42	22	13	30	12	43	M6	0,200
21530-201002	60	20	32	6,8	11	32	45	50	25	18	34	13	54	M8	0,340
21530-251002	78	25	40	8,6	15	40	60	60	30	22	40	15	67	M10	0,650
21530-301002	87	30	47	8,6	15	45	68	70	35	22	48	16	79	M10	0,970

01000  
02000  
03000  
04000  
05000  
06000  
07000  
08000  
09000  
20000  
21000  
22000  
23000