

# Traverses fixed



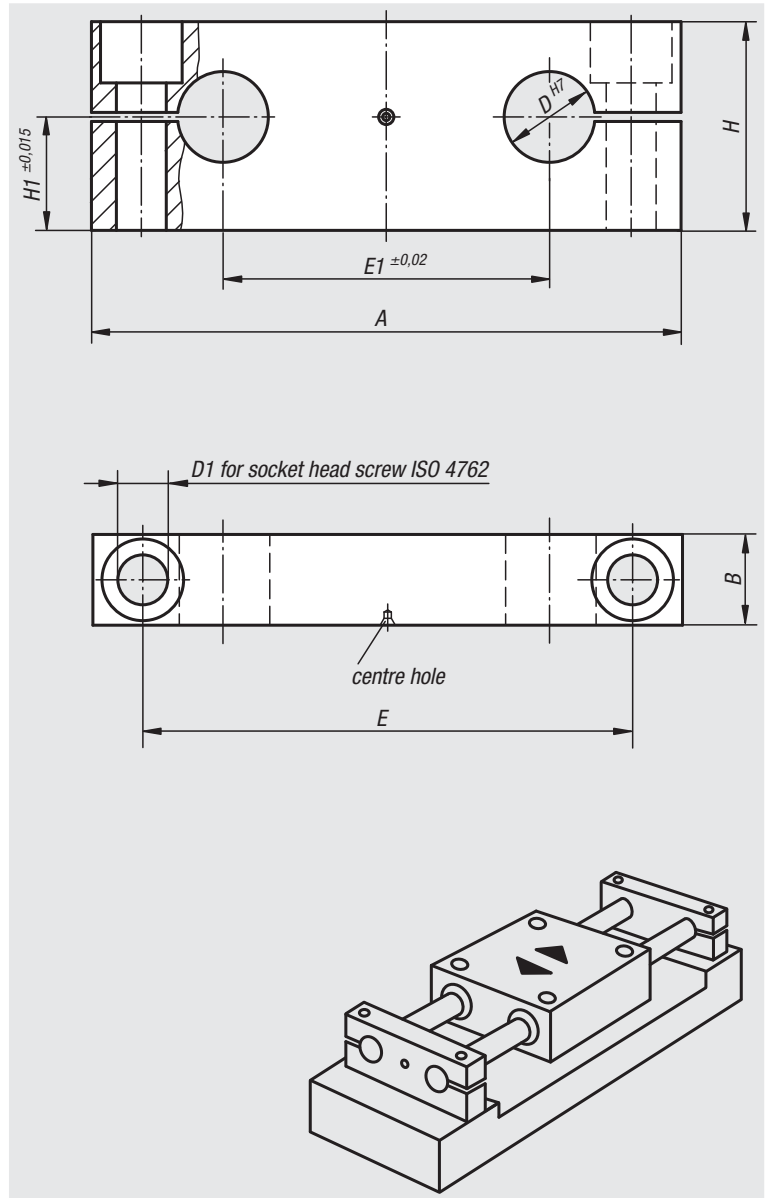
**Material, surface finish:**  
Aluminium, natural finish

**Sample order:**  
nlm 21575-12

**Note:**  
Traverse with two location holes for easy and secure clamping and installation of the guide shafts. For the assembly of prefabricated table units with our Quadro 21550 or 21555 linear housing units.

This version permits the axial motion of the linear bearing unit. That is, the shafts are installed with the traverses fixed on the machine base.

**Accessory:**  
Precision guide shafts 21595.  
Fastening screws 07160 or 07161.



Order No.	A	B	D	D1	E	E1	H	H1	Approx. weight kg
21575-12	85	14	12	6,6	70	42	32	18	0,090
21575-16	100	18	16	9	82	54	36	20	0,140
21575-20	130	20	20	11	108	72	46	25	0,250
21575-25	160	25	25	13,5	132	88	56	30	0,470
21575-30	180	25	30	13,5	150	96	64	35	0,620

01000  
02000  
03000  
04000  
05000  
06000  
07000  
08000  
09000  
20000  
21000  
22000  
23000