

Traverses moveable


Material, surface finish:

Aluminium, natural finish

Sample order:

nlm 21577-12

Note:

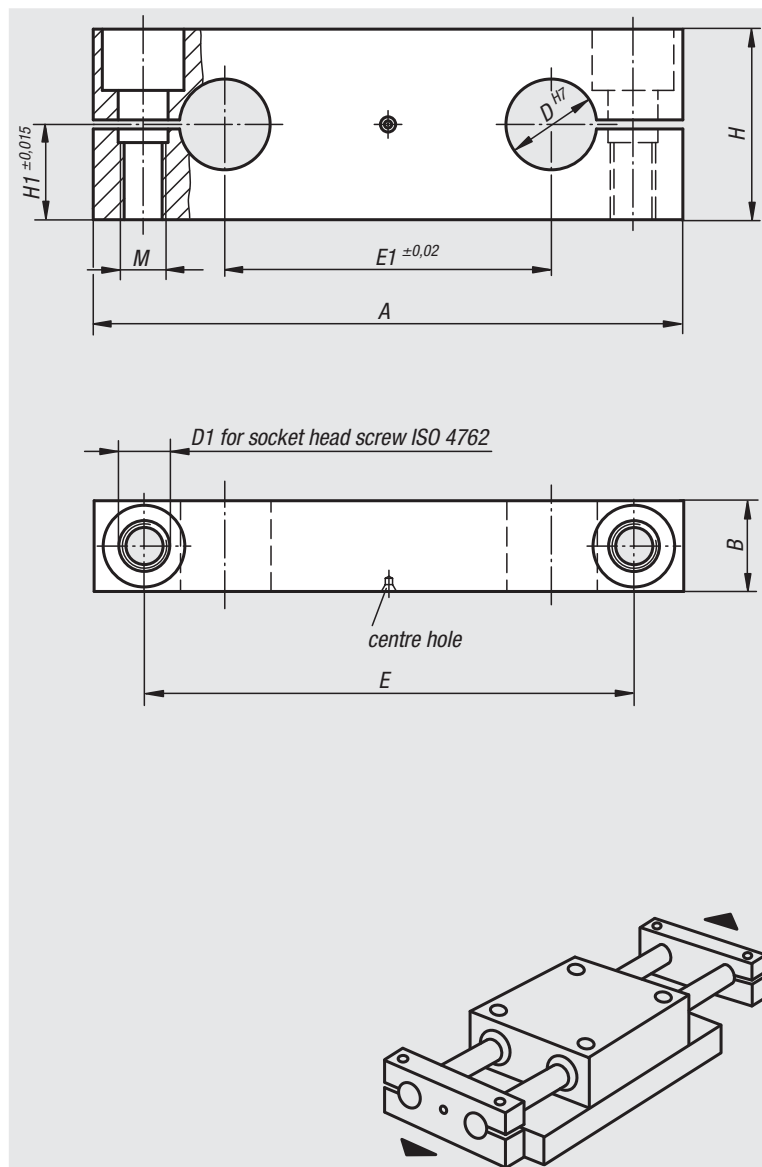
Traverse with two location holes for easy and secure clamping and installation of the guide shafts. For the assembly of prefabricated table units with our Quadro 21550 or 21555 linear housing units.

In the case of a firmly installed linear bearing unit, this version permits a operation of the shafts with the traverses.

Accessory:

Precision guide shafts 21595.

Fastening screws 07160 or 07161.



Order No.	A	B	D	E	E1	H	H1	M	Approx. weight kg
21577-12	85	14	12	70	42	28	14	M6	0,070
21577-16	100	18	16	82	54	32	16	M8	0,130
21577-20	130	20	20	108	72	42	21	M10	0,220
21577-25	160	25	25	132	88	52	26	M12	0,440
21577-30	180	25	30	150	96	58	29	M12	0,560