

Shaft bents

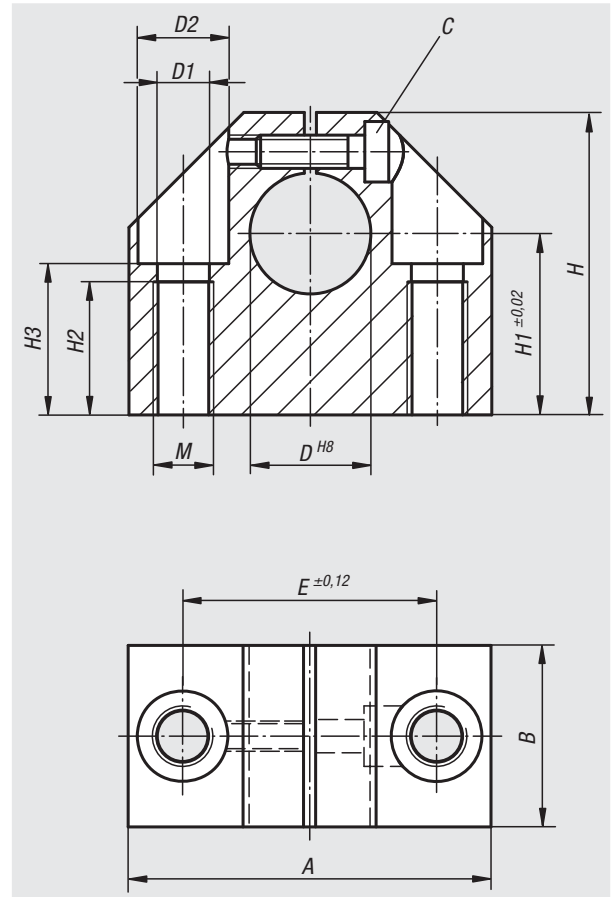


Material, surface finish:
Aluminium, natural finish

Sample order:
nlm 21580-12

Note:
Shaft bents with receiving hole for easy and secure clamping and installation of guide shafts.

Accessory:
Precision guide shafts 21595.
Fastening screws 07160 or 07161.



Order No.	A	B	D	D1	D2	E	H	H1	H2	H3	M	C (DIN 912)	Approx. weight kg
21580-12	43	20	12	5,2	10	30	35	20	13	16,5	M6	M4	0,100
21580-16	53	24	16	6,8	11	38	42	25	18	21	M8	M5	0,150
21580-20	60	30 -0,6	20	8,6	15	42	50 -0,6	30	22	25	M10	M6	0,230
21580-25	78	38	25	10,3	18	56	60	35	26	30	M12	M8	0,410
21580-30	87	40 -0,6	30	10,3	18	64	70 -0,6	40	26	34	M12	M8	0,530