

Flange shaft bents

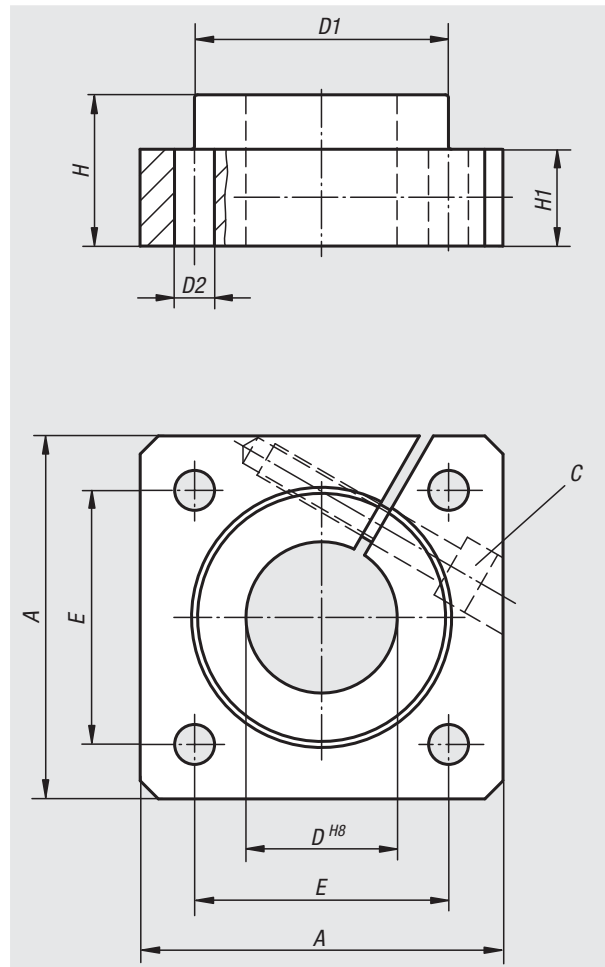


Material, surface finish:
Aluminium, natural finish

Sample order:
nlm 21585-12

Note:
Flange shaft bents with receiving hole for easy and secure clamping and installation of guide shafts.

Accessory:
Precision guide shafts 21595.
Fastening screws 07160 or 07161.



Order No.	A	D	D1	D2	E	H	H1	C (DIN 912)	Approx. weight kg
21585-12	40	12	23,5	5,5	30 ±0,12	20	12	M4	0,060
21585-16	50	16	27,5	5,5	35 ±0,12	20	12	M4	0,080
21585-20	50	20	33,5	6,6	38 ±0,15	23	14	M5	0,100
21585-25	60	25	42	6,6	42 ±0,15	25	16	M6	0,150
21585-30	70	30	49,5	9	54 ±0,25	30	19	M8	0,300