

# Digital position indicators



**Material, surface finish:**  
 Housing polyamide 6, impact-resistant.  
 Hollow shaft steel, black oxide finish.  
 Viewing window plastic.  
 Grub screw steel, black.  
 Counter dials black, figures white.

**Sample order:**  
 nlm 21902-01002111  
 (Position indicator with 1 mm pitch, decimal point in second position from the right, assembly position 1, direction of count ascending clockwise, colour orange)

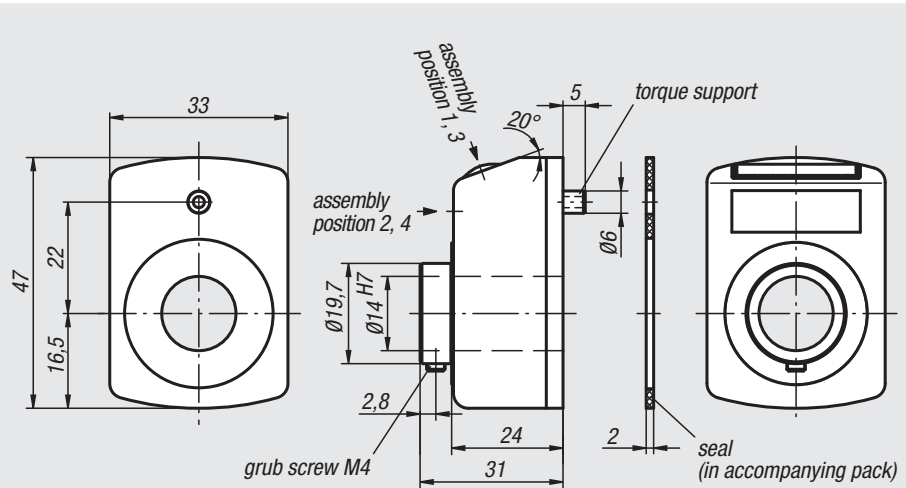
**Note:**  
 Digital position indicators allow direct reading off of input measurement values at a glance. In addition, the value indicated per spindle rotation (corresponding spindle pitch) can be selected and the various indicator values can be operated by a transmission gear. The position indicators are distinguished by their small construction with very clear display and fine scale. They are especially suitable for small spindle distances and small shaft diameters and they have a torque support that is located in a drillhole on the other side.

\*\* At the 1st asterisk give assembly position and at the 2nd asterisk give the count direction (see sample order „assembly position, count direction“).

- On request:**
- Counter cover made of mineral glass
  - Stainless steel driveshaft
  - Axial sealing (dust-proof)
  - Vibration protection

- Accessory:**
- Reducing bushes 21940
  - Insert plate 21942
  - Mounting plates 21944

- Technical data:**
- Counter consisting of 4 10-position dials + fine scale
  - Height of figures about 6 mm
  - Hollow shaft  $\varnothing$  14 H7 mm
  - Temperature resistant to 80 °C
  - Oil and solvent resistant



Indicator after one rotation decimal point position:	Assembly position (1 - 4):
e. g. 21902-01002111 0100 = 1 mm pitch 2 = decimal point at the 2 <sup>nd</sup> position from the right	e. g. 21902-01002111 1 = assembly position

Count direction (1 - 2):	Colour (1 - 2):
 e. g. 21902-01002111 1 = clockwise (ascending values) 2 = anticlockwise (ascending values)	 e. g. 21902-01002111 1 = orange 2 = black

Order No. orange	Order No. black	Pitch	Indicator after one rotation	Decimal point in position	Revolutions per minute max.	Approx. weight kg
21902-01002**1	21902-01002**2	1	00,10	2	1500	0,050
21902-01001**1	21902-01001**2	1	001,0	1	1500	0,050
21902-01251**1	21902-01251**2	1,25	001,2/5	1	1200	0,050
21902-01501**1	21902-01501**2	1,5	001,5	1	1000	0,050
21902-02001**1	21902-02001**2	2	002,0	1	750	0,050
21902-02501**1	21902-02501**2	2,5	002,5	1	600	0,050
21902-03001**1	21902-03001**2	3	003,0	1	500	0,050
21902-04001**1	21902-04001**2	4	004,0	1	375	0,050
21902-05001**1	21902-05001**2	5	005,0	1	300	0,050
21902-06001**1	21902-06001**2	6	006,0	1	250	0,050
21902-08001**1	21902-08001**2	8	008,0	1	180	0,050
21902-10001**1	21902-10001**2	10	010,0	1	150	0,050