

# Digital position indicators



**Material, surface finish:**

Housing polyamide 6, impact-resistant.  
Hollow shaft steel, black oxide finish.  
Viewing window plastic.  
Grub screw steel, black.  
Counter dials black, figures white.

**Sample order:**

nIm 21904-01002111  
(Position indicator with 1 mm pitch, decimal point in second position from the right, assembly position 1, direction of count ascending clockwise, colour orange)

**Note:**

Digital position indicators allow direct reading off of input measurement values at a glance.

In addition the value indicated per spindle rotation (corresponding spindle pitch) can be selected and the various indicator values can be operated by a transmission gear.

The position indicators are distinguished by their very clear display and fine scale. They have a torque support that is located in a drillhole on the other side.

\*\* At the 1st asterisk give assembly position and at the 2nd asterisk give the count direction (see sample order „assembly position, count direction“)

**On request:**

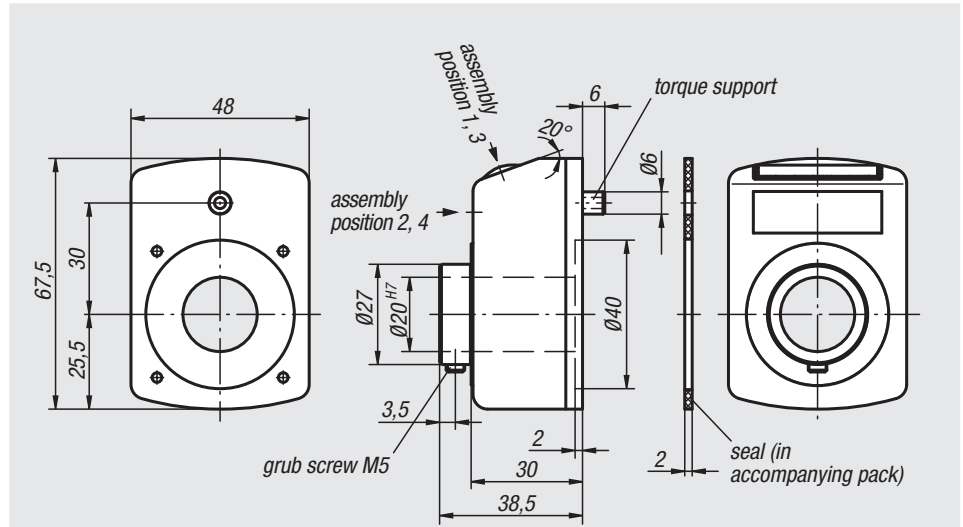
- Counter cover made of mineral glass
- Stainless steel driveshaft
- Axial sealing (dust-proof)
- Waterproof
- Vibration protection

**Accessory:**

- Reducing bushes 21940
- Insert plate 21942
- Mounting plates 21944

**Technical data:**

- Counter consisting of 5 10-position dials + fine scale
- Height of figures about 7 mm
- Hollow shaft  $\varnothing$  20 H7 mm
- Temperature resistant to 80 °C
- Oil and solvent resistant
- Dust-proof



Indicator after one rotation decimal point position:	Assembly position (1 - 4):
e. g. 21904-01002111 0100 = 1 mm pitch 2 = decimal point at the 2 <sup>nd</sup> position from the right	e. g. 21904-01002111 1 = assembly position

Count direction (1 - 2):	Colour (1 - 2):
e. g. 21904-01002111 1 = clockwise (ascending values) 2 = anticlockwise (ascending values)	e. g. 21904-01002111 1 = orange 2 = black

Order No. orange	Order No. black	Pitch	Indicator after one rotation	Decimal point in position	Revolutions per minute max.	Approx. weight kg
21904-01002**1	21904-01002**2	1	000,10	2	1500	0,100
21904-01001**1	21904-01001**2	1	0001,0	1	1500	0,100
21904-01501**1	21904-01501**2	1,5	0001,5	1	1000	0,100
21904-02001**1	21904-02001**2	2	0002,0	1	750	0,100
21904-02501**1	21904-02501**2	2,5	0002,5	1	600	0,100
21904-03001**1	21904-03001**2	3	0003,0	1	500	0,100
21904-04001**1	21904-04001**2	4	0004,0	1	450	0,100
21904-05001**1	21904-05001**2	5	0005,0	1	300	0,100
21904-06001**1	21904-06001**2	6	0006,0	1	250	0,100
21904-10001**1	21904-10001**2	10	0010,0	1	150	0,100

01000 02000 03000 04000 05000 06000 07000 08000 09000 20000 22000 23000 21000