

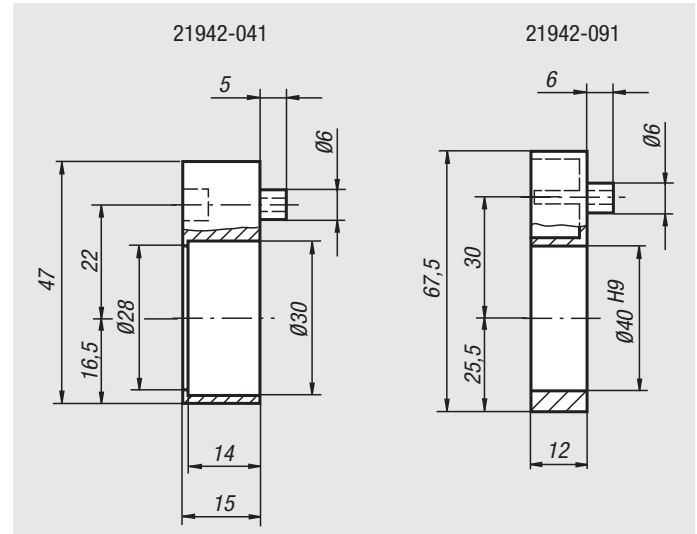
Insert plates



Material, surface finish:
Plastic.

Sample order:
nlm 21942-041

Note:
Insert plates are used for the attachment of adjusting rings and radial shaft seals.



Order No.	Suitable for position indicator	Approx. weight kg
21942-041	21902	0,009
21942-091	21904	0,013