

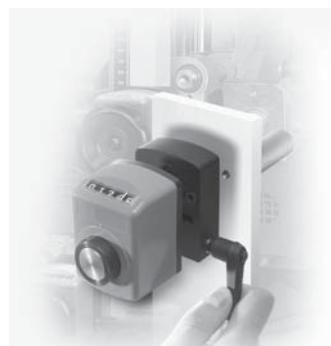
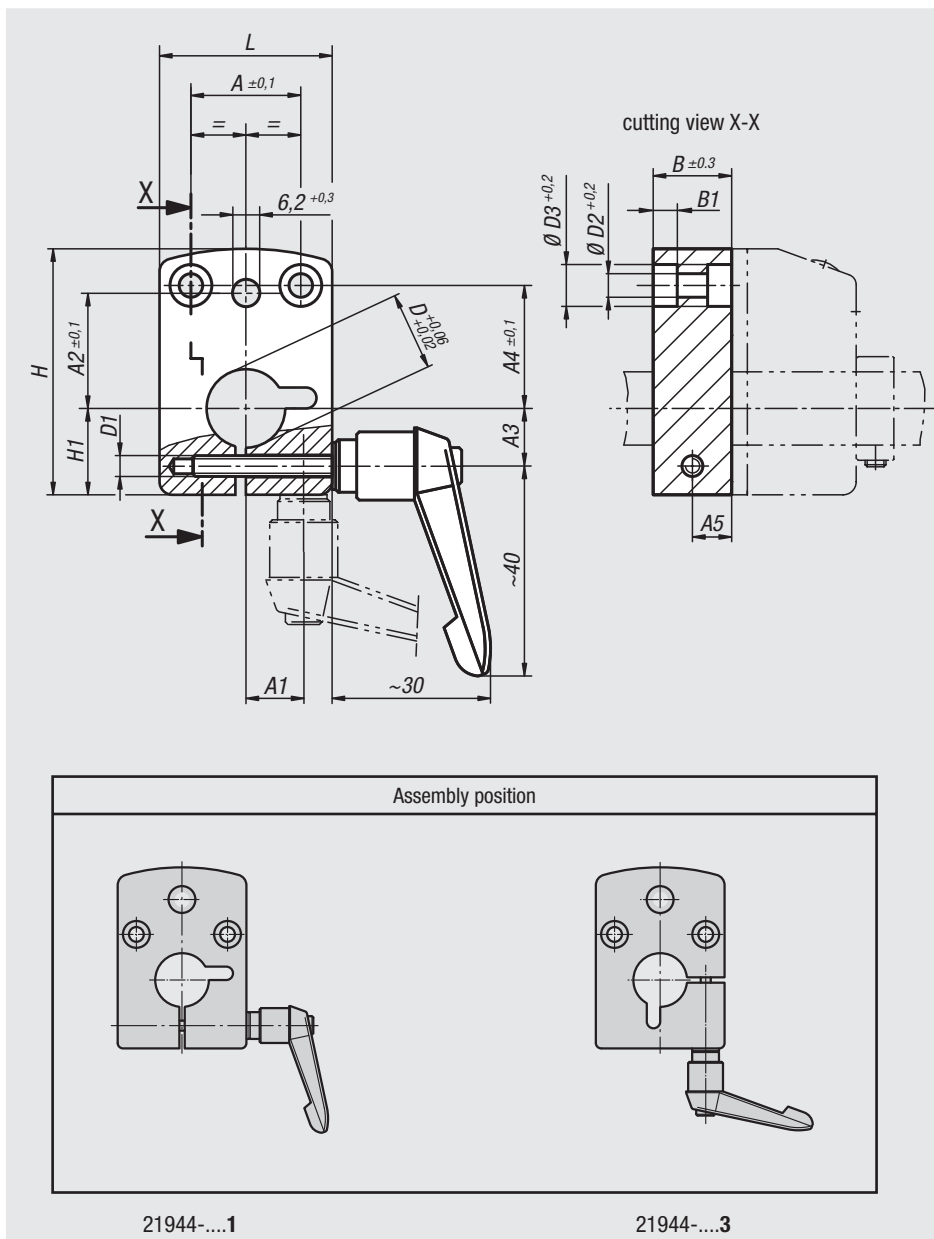
Mounting plates



Material, surface finish:
 Housing aluminium anodized.
 Clamp lever in anthracite grey thermoplastic.

Sample order:
 nlm 21944-09121

Note:
 Mounting plates form a compact unit in combination with position indicators. They guarantee reliable spindle clamping without additional construction work. Because of simple mounting as an insertion plate, the mounting plate is also very suitable for subsequent fitting out of existing equipment.



Order No. assembly position 1	Order No. assembly position 3	A	A1	A2	A3	A4	A5	B	B1	D	D1	D2	D3	H	H1	L	Suitable for position indicator
21944-04081	21944-04083	21	-/11	22	11/-	23,5	7,5	15	4,6	8	M4	4,5	8	47	16,5	33	21902
21944-04101	21944-04103	21	-/11	22	11/-	23,5	7,5	15	4,6	10	M4	4,5	8	47	16,5	33	21902
21944-04121	21944-04123	21	-/11	22	11/-	23,5	7,5	15	4,6	12	M4	4,5	8	47	16,5	33	21902
21944-04141	21944-04143	21	-/11	22	11/-	23,5	7,5	15	4,6	14	M4	4,5	8	47	16,5	33	21902
21944-09121	21944-09123	34	-/17	30	17/-	17	10	20	5,5	12	M5	5,5	10	67,5	25,5	48	21904
21944-09141	21944-09143	34	-/17	30	17/-	17	10	20	5,5	14	M5	5,5	10	67,5	25,5	48	21904
21944-09161	21944-09163	34	-/17	30	17/-	17	10	20	5,5	16	M5	5,5	10	67,5	25,5	48	21904
21944-09201	21944-09203	34	-/17	30	17/-	17	10	20	5,5	20	M5	5,5	10	67,5	25,5	48	21904