

# Adjusting knobs with position indicator

digital display



## Material, surface finish:

Housing glass-fibre reinforced plastic;  
hollow shaft steel, black oxide finish;  
viewing window plastic

## Sample order:

nlm 21952-01501112

(Adjusting knob with 1.5 mm pitch, decimal point in first position from the right, torque support at 270°, direction of count ascending clockwise, colour black)

## Note:

Adjusting knobs with integrated position indicators allow direct readout of set measurement values such as lengths, flow rates, speeds, etc., at a glance. In addition, the display value can be selected per spindle rotation (corresponding spindle pitch), with the different display values being realized by a variable ratio transmission. The torque support allows the use of the adjusting knobs in any assembly position, even in case of high vibrations.

\*\* At the 1st asterisk give torque support and at the 2nd asterisk give the count direction (see sample order „torque support, count direction“).

## On request:

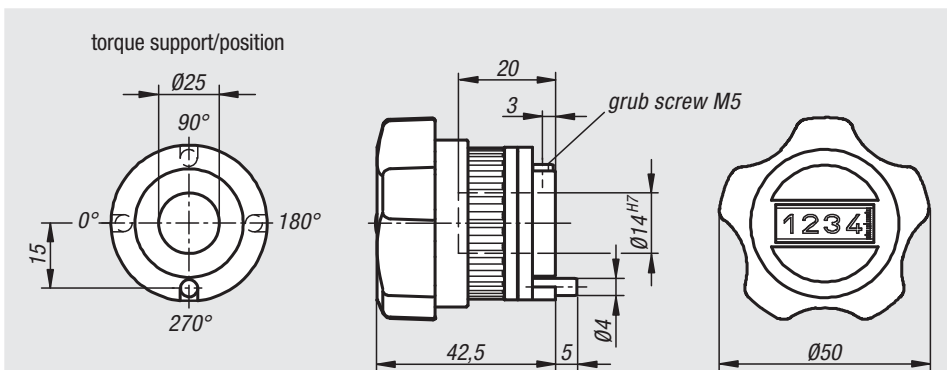
– Other pitches

## Accessory:

– Reducing bushes 21940

## Technical data:

– Counter consisting of 4 10-position dials + fine scale  
– Height of figures about 6 mm  
– Hollow shaft  $\varnothing$  14 H7 mm  
– Temperature resistant to 80 °C  
– Oil and solvent resistant



Indicator after one rotation, decimal point position:	Torque support (1 - 4):																		
<table border="1"> <thead> <tr> <th>order number</th> <th>for pitch</th> <th>display presentation</th> </tr> </thead> <tbody> <tr> <td>0150</td> <td>1.5</td> <td>001,5</td> </tr> <tr> <td>0200</td> <td>2</td> <td>002,0</td> </tr> <tr> <td>0400</td> <td>4</td> <td>004,0</td> </tr> <tr> <td>0500</td> <td>5</td> <td>005,0</td> </tr> <tr> <td>1000</td> <td>10</td> <td>010,0</td> </tr> </tbody> </table>	order number	for pitch	display presentation	0150	1.5	001,5	0200	2	002,0	0400	4	004,0	0500	5	005,0	1000	10	010,0	
order number	for pitch	display presentation																	
0150	1.5	001,5																	
0200	2	002,0																	
0400	4	004,0																	
0500	5	005,0																	
1000	10	010,0																	
e.g. 21952-01501112 <b>0150</b> = 1.5 mm pitch <b>1</b> = decimal point at the 1 <sup>st</sup> position from the right	e.g. 21952-01501112 <b>1</b> = 270° (standard)																		

Count direction (1 - 2):	Colour (1 - 2):
	1 2
e.g. 21952-01501112 <b>1</b> = clockwise (ascending values) <b>2</b> = anticlockwise (ascending values)	e.g. 21952-01501112 <b>1</b> = red <b>2</b> = black

Order No. red	Order No. black	Pitch	Indicator after one rotation	Decimal point in position	Approx. weight kg
21952-01501**1	21952-01501**2	1,5	001,5	1	0,060
21952-02001**1	21952-02001**2	2	002,0	1	0,060
21952-04001**1	21952-04001**2	4	004,0	1	0,060
21952-05001**1	21952-05001**2	5	005,0	1	0,060
21952-10001**1	21952-10001**2	10	010,0	1	0,060