

Position indicator for handwheels

analogue display



Material, surface finish:

Housing glass-fibre reinforced plastic, black; viewing window plastic, dust-proof

Sample order:

nIm 21960-500021

Note:

Position indicators are provided for installation in handwheels. They allow direct readout of set measurement values such as lengths, flow rates, speeds, etc, at a glance. The measurement values are acquired according to the gravity principle. Conceived for use on horizontal spindles.

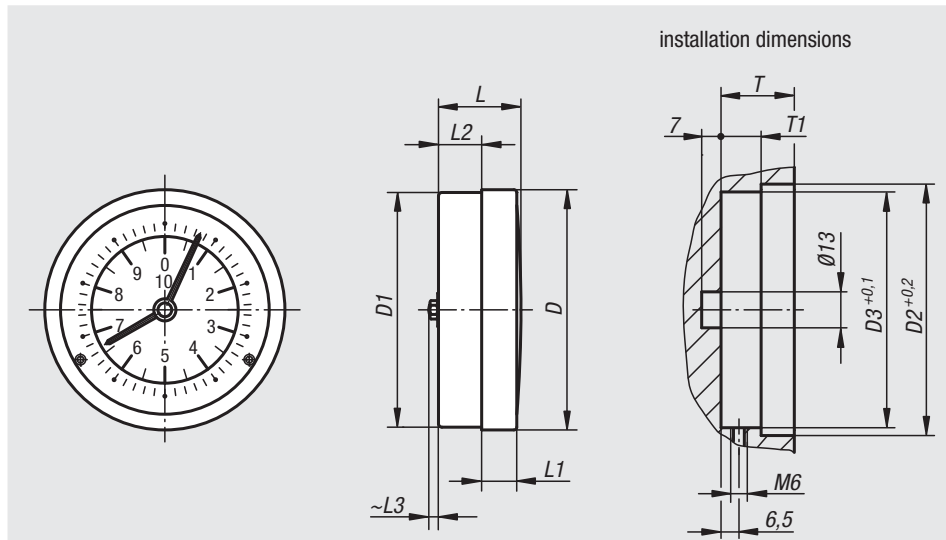
The transmission ratio indicates how many spindle rotations (black pointer) are necessary for one rotation of the smaller, red pointer (while the longer, black pointer indicates the rotational movement of the spindle 1:1, i.e., 1 spindle rotation = 1 pointer rotation, the smaller, red pointer carries out only a fraction, defined by the transmission ratio, of the rotational motion).

On request:

– Other transmission ratios

Accessory:

– Handwheels 21970 / 21972



Order No.	Size	Transmission ratio	D	D1	D2	D3	L	L1	L2	L3	T	T1	Suitable for	Approx. weight kg
21960-500021	50	1:2	51,7	50,2	52	50,5	29,2	11,5	14,7	4,2	24	12,3	handwheel size 50	0,100
21960-500121	50	1:12	51,7	50,2	52	50,5	29,2	11,5	14,7	4,2	24	12,3	handwheel size 50	0,100
21960-500241	50	1:24	51,7	50,2	52	50,5	29,2	11,5	14,7	4,2	24	12,3	handwheel size 50	0,100
21960-500481	50	1:48	51,7	50,2	52	50,5	29,2	11,5	14,7	4,2	24	12,3	handwheel size 50	0,100
21960-501001	50	1:100	51,7	50,2	52	50,5	29,2	11,5	14,7	4,2	24	12,3	handwheel size 50	0,100
21960-800021	80	1:2	86,8	84,8	87	85,2	29,8	12,7	15,6	5	26,5	14,5	handwheel size 80	0,100
21960-800121	80	1:12	86,8	84,8	87	85,2	29,8	12,7	15,6	5	26,5	14,5	handwheel size 80	0,100
21960-800241	80	1:24	86,8	84,8	87	85,2	29,8	12,7	15,6	5	26,5	14,5	handwheel size 80	0,100
21960-800481	80	1:48	86,8	84,8	87	85,2	29,8	12,7	15,6	5	26,5	14,5	handwheel size 80	0,100
21960-801001	80	1:100	86,8	84,8	87	85,2	29,8	12,7	15,6	5	26,5	14,5	handwheel size 80	0,100

01000
02000
03000
04000
05000
06000
07000
08000
09000
20000
21000
22000
23000