

Fixing plates for timing belts,

T and AT profiles



Material, surface finish:

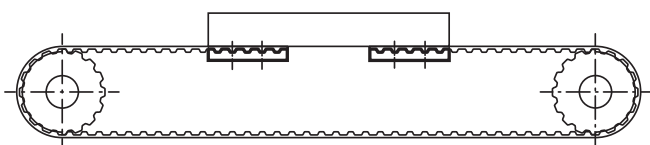
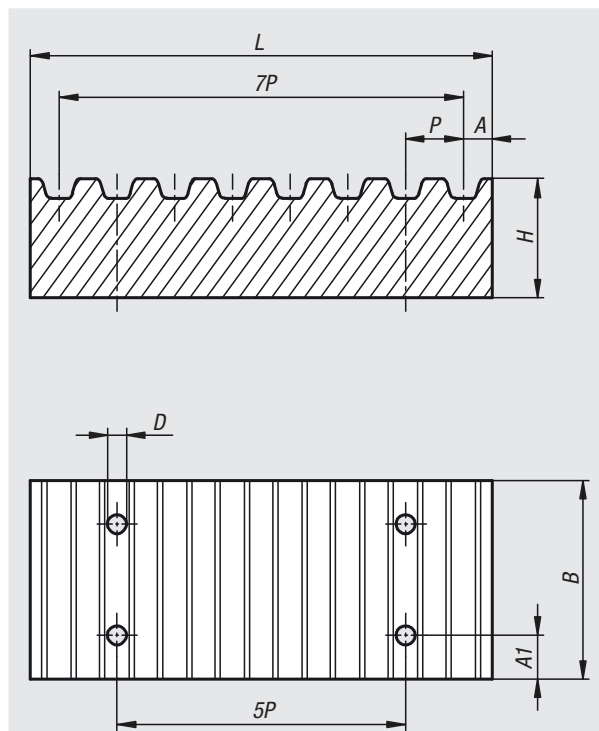
Aluminium, natural finish.

Sample order:

nlm 22012-05101

Note:

Fixing plates are used to secure the free belt ends mechanically for numerous linear applications. Fixing plates must have a suitable tooth profile in order to apply the clamping force uniformly to the belt and to be secured. For standard applications, at least 7 belt teeth per belt and must be engaged.



Order No.	Profile	Belt width	P	A	A1	B	D	H	L	Approx. weight kg
22012-05101	T5	10	5	3,4	6	29	5,5	8	41,8	0,025
22012-05161	T5	16	5	3,4	6	35	5,5	8	41,8	0,03
22012-05251	T5	25	5	3,4	6	44	5,5	8	41,8	0,036
22012-10161	T10	16	10	5	8	41	9	15	80	0,115
22012-10251	T10	25	10	5	8	50	9	15	80	0,14
22012-10321	T10	32	10	5	8	57	9	15	80	0,16
22012-05102	AT5	10	5	3,4	6	29	5,5	8	41,8	0,019
22012-05162	AT5	16	5	3,4	6	35	5,5	8	41,8	0,024
22012-05252	AT5	25	5	3,4	6	44	5,5	8	41,8	0,031
22012-10162	AT10	16	10	5	8	41	9	15	80	0,11
22012-10252	AT10	25	10	5	8	50	9	15	80	0,135
22012-10322	AT10	32	10	5	8	57	9	15	80	0,155