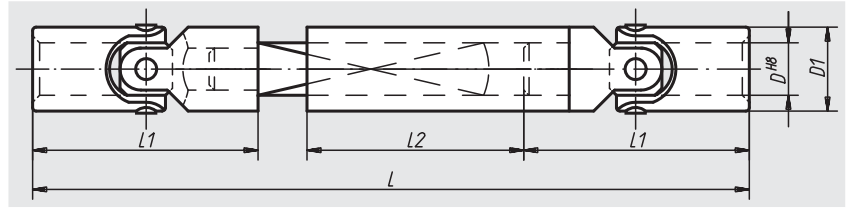


Telescopic cardan shafts



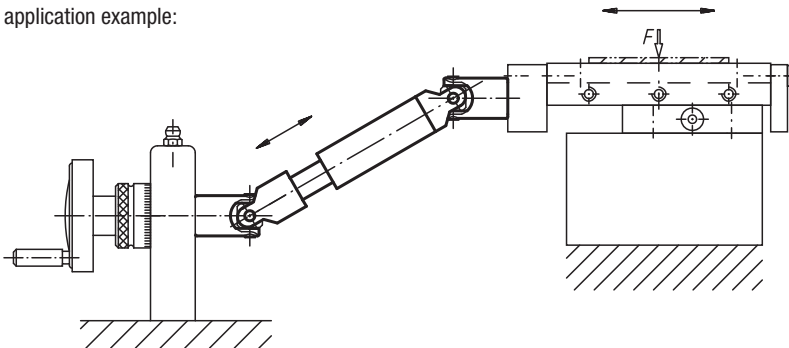
Material:
Steel

Surface finish:
Natural finish

Sample order:
nlm 23412-120260

Note:
These cardan shafts consist of two cardan joints (version coarse), one square intermediate shaft and a sliding sleeve. They are available in every desired length. Telescopic cardan shafts are suitable for manual drives resp. for short-time mechanical drive at low speed.

application example:



Order No.	D	D1	L	L1	L2	Retractability	Shaft profile square	static fracture torque in Nm	Approx. weight kg
23412-100230	10	16	230	52	120	80	8	35	0,400
23412-120260	12	20	260	62	130	90	10	80	0,600
23412-160340	16	25	340	74	160	110	12	140	1,000
23412-200420	20	32	420	86	200	130	16	280	2,400