

# Quick plug couplings

with radial offset compensation



**Material, surface finish:**

Coupling part and claw in steel, heat-treated and phosphated.  
Nut (DIN 439) in steel, black oxide finish; quality class 8.8

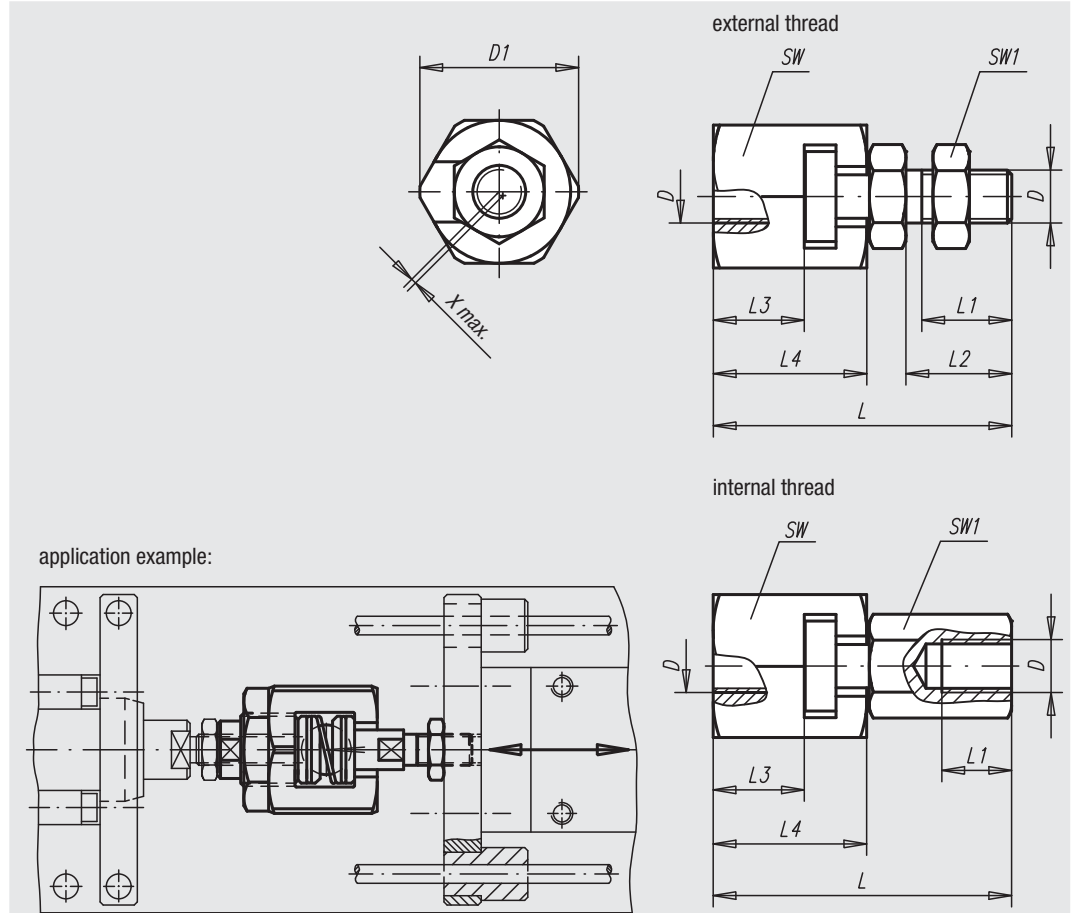
**Sample order:**

n1m 23450-16

**Note:**

Quick plug couplings with radial offset compensation for multiple applications, e.g. as a link between a piston rod and a linear-movement unit. Assembly and disassembly of this simple, solid and two-part coupling is carried out by means of a T-slot; a manual re-adjustment is not necessary. The quick plug coupling can be linked to all commonly used pneumatic and hydraulic lifting cylinders via the connecting thread.

**The quick plug coupling does not transmit any torque.**



Order No.	Surface finish	D	D1	~L	L1 min.	L2	L3 min.	L4	SW	SW1	Max. radial shift compensation	Max. permissible tensile and compressive stress in kN	Approx. weight kg
23450-06	Internal thread	M6	21	37,5	11	-	9	18	19	10	0,6	2,5	0,045
23450-08	Internal thread	M8	26	45	13,5	-	11,5	22,5	24	13	0,7	4,5	0,089
23450-10	Internal thread	M10	30	56,2	15	-	16	29	27	17	0,7	6,5	0,155
23450-101	Internal thread	M10x1,25	30	56,2	15	-	16	29	27	17	0,7	6,5	0,155
23450-12	Internal thread	M12	32,5	66,7	17,5	-	17	34	30	19	0,8	10	0,220
23450-121	Internal thread	M12x1,25	32,5	66,7	17,5	-	17	34	30	19	0,8	10	0,220
23450-16	Internal thread	M16	39	83	22	-	23	42	36	24	1	18	0,397
23450-161	Internal thread	M16x1,5	39	83	22	-	23	42	36	24	1	18	0,398
23450-20	Internal thread	M20	44	93,5	25	-	23,5	45,5	41	30	1	30	0,599
23450-201	Internal thread	M20x1,5	44	93,5	25	-	23,5	45,5	41	30	1	30	0,594
23450-0614	External thread	M6	21	37,5	11	14	9	18	19	10	0,6	2,5	0,042
23450-0817	External thread	M8	26	45	13,5	17	11,5	22,5	24	13	0,7	4,5	0,084
23450-1020	External thread	M10	30	56,2	16	20	16	29	27	17	0,7	6,5	0,144
23450-10201	External thread	M10x1,25	30	56,2	16	20	16	29	27	17	0,7	6,5	0,145
23450-1225	External thread	M12	32,5	66,7	21	25	17	34	30	19	0,8	10	0,205
23450-12251	External thread	M12x1,25	32,5	66,7	21	25	17	34	30	19	0,8	10	0,205
23450-1630	External thread	M16	39	83	25	30	23	42	36	24	1	18	0,384
23450-16301	External thread	M16x1,5	39	83	25	30	23	42	36	24	1	18	0,385
23450-2035	External thread	M20	44	93,5	29	35	23,5	45,5	41	30	1	30	0,568
23450-20351	External thread	M20x1,5	44	93,5	29	35	23,5	45,5	41	30	1	30	0,568

01000 02000 03000 04000 05000 06000 07000 08000 09000 20000 21000 22000 23000