

# ACME threaded nuts, round

right-hand thread, single-flight



**Material:**

Red brass Rg7

**Surface finish:**

Natural finish

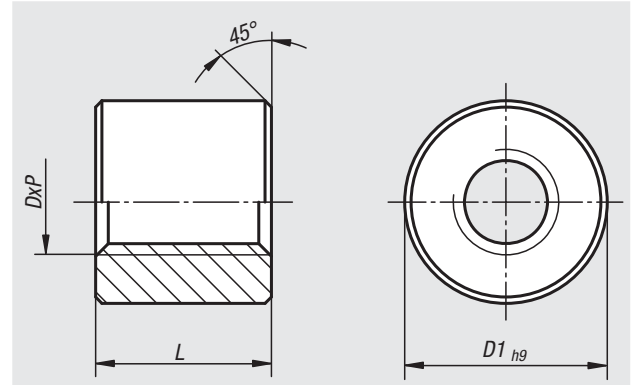
**Sample order:**

nIm 24003-1003132

**Note:**

For motion drives with low and medium speed. In case of lack of lubricant, the ACME threaded nuts made of red brass have good emergency running characteristics on steel spindles.

Tolerance class 7H



| Order No.     | DxP     | D1 | L  | Approx. weight kg |
|---------------|---------|----|----|-------------------|
| 24003-1003132 | Tr 10x3 | 22 | 20 | 0,061             |
| 24003-1203132 | Tr 12x3 | 26 | 24 | 0,095             |
| 24003-1604132 | Tr 16x4 | 36 | 32 | 0,270             |
| 24003-2004132 | Tr 20x4 | 45 | 40 | 0,523             |
| 24003-2405132 | Tr 24x5 | 50 | 48 | 0,627             |
| 24003-2605132 | Tr 26x5 | 60 | 52 | 0,700             |
| 24003-3006132 | Tr 30x6 | 60 | 60 | 1,017             |