

## Housings

for flange nuts



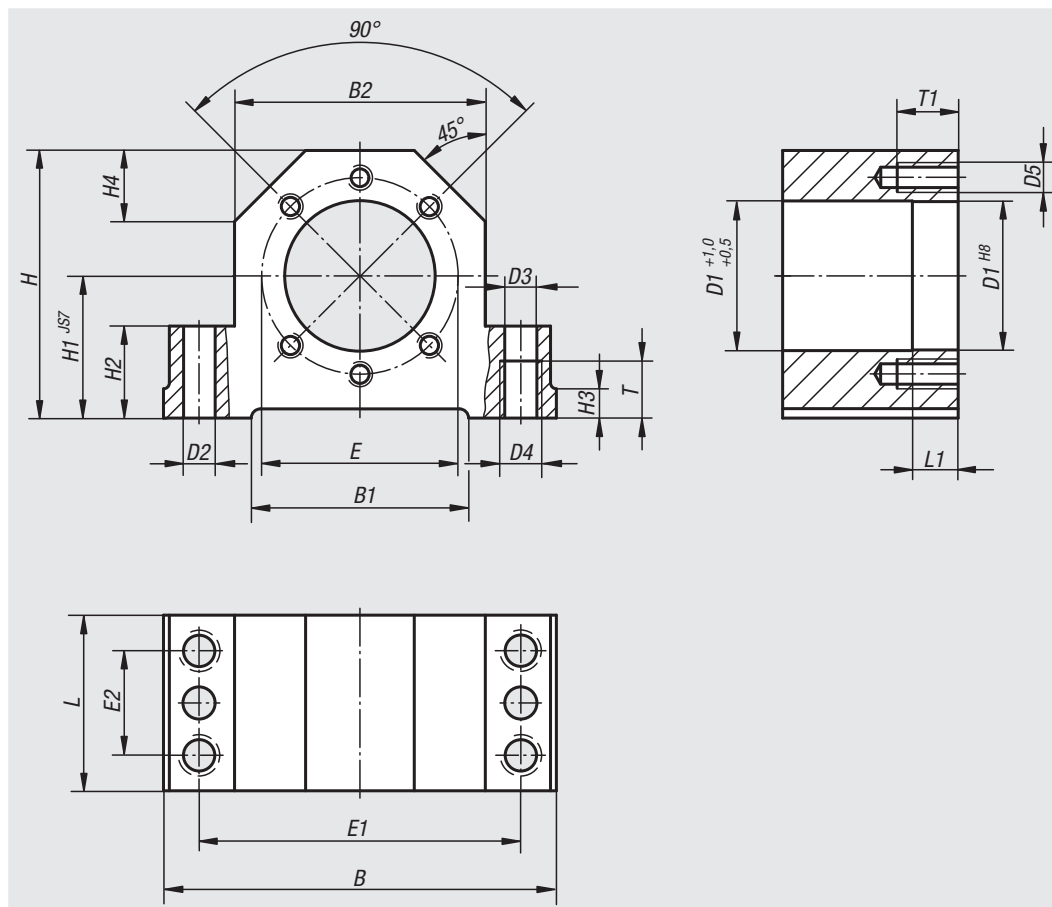
**Material:**  
Steel

**Surface finish:**  
Black oxide finish

**Sample order:**  
nlm 24070-016

**Note:**  
The housings are ideally suited for installation of flange nuts according to DIN 69051 Part 5. The shaft height of the spindle bearings is aligned with the solid bearing units 24072 and loose bearing units 24074. The housings may be screwed on from above and below and pinned with two taper pins or cylindrical pins.

Delivery with 6 pieces, fastening screws of strength class 8.8.



Ball-type linear drive with flange nut installed in a housing



| Order No. | Suitable for spindle-Ø | B   | B1 | B2 | D1 | D2  | D3   | D4  | D5 | E  | E1 | E2 | H  | H1 | H2 | H3 | H4 | L  | L1 | T  | T1 | Approx. weight kg |
|-----------|------------------------|-----|----|----|----|-----|------|-----|----|----|----|----|----|----|----|----|----|----|----|----|----|-------------------|
| 24070-016 | 16                     | 86  | 50 | 52 | 28 | 7,7 | 8,4  | M10 | M5 | 38 | 68 | 23 | 58 | 32 | 22 | 7  | 15 | 42 | 10 | 15 | 12 | 0,800             |
| 24070-020 | 20                     | 94  | 58 | 60 | 36 | 7,7 | 8,4  | M10 | M6 | 47 | 77 | 25 | 64 | 34 | 22 | 7  | 17 | 46 | 16 | 15 | 15 | 1,000             |
| 24070-025 | 25                     | 108 | 63 | 66 | 40 | 9,7 | 10,5 | M12 | M6 | 51 | 88 | 29 | 72 | 39 | 27 | 10 | 19 | 46 | 16 | 18 | 15 | 1,400             |
| 24070-032 | 32                     | 112 | 70 | 72 | 50 | 9,7 | 10,5 | M12 | M8 | 65 | 92 | 29 | 82 | 42 | 27 | 10 | 19 | 49 | 16 | 18 | 20 | 1,500             |