

Rubber-metal buffer

type AT tapered



Material, surface finish:

Metal parts, galvanized steel, class 5.6;
elastomer, natural rubber, medium hardness,
57° Shore A

Sample order:

nln 26101-01001057

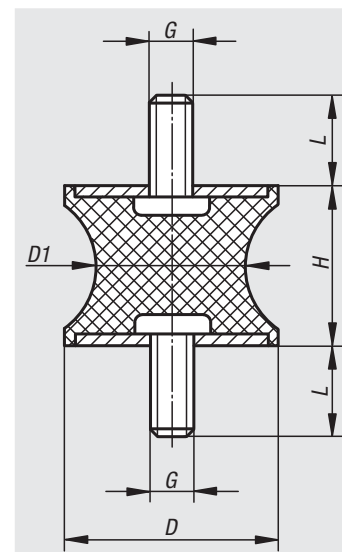
Note:

The rubber-metal buffers are widely-used construction devices for elastic bearings. They are used, among other things, as bearings for assemblies, motors, compressors, pumps and testing machines.

Rubber-metal buffers with tapered rubber contour reduce high edge loads of the rubber in case of axial excursion and thus increase the service life of the component.

Temperature range:

-30 °C up to +80 °C.



Order No.	D	D1	H	G	L	Approx. weight g
26101-01001057	10	8	10	M4	13	3
26101-01501557	15	12	15	M4	13	7
26101-02001557	20	14	15	M6	18	17
26101-03002057	30	22	20	M8	23	55
26101-04003057	40	33	30	M8	23	81
26101-04004857	40	20	48	M8	23	87
26101-05003057	50	40	30	M10	33	170
26101-07504057	75	50	40	M12	37	350