

# Rubber-metal buffer

type CT tapered



### Material, surface finish:

Metal parts, galvanized steel, class 5.6;  
elastomer, natural rubber, medium hardness,  
57° Shore A

### Sample order:

nIm 26105-01001057

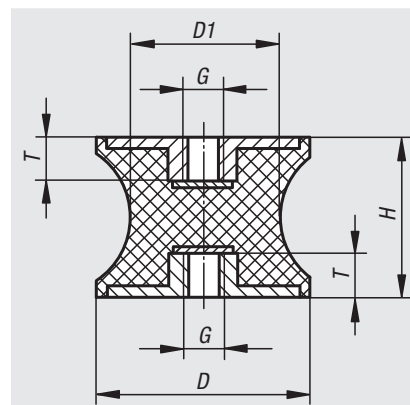
### Note:

The rubber-metal buffers are widely-used construction devices for elastic bearings. They are used, among other things, as bearings for assemblies, motors, compressors, pumps and testing machines.

Rubber-metal buffers with tapered rubber contour reduce high edge loads of the rubber in case of axial excursion and thus increase the service life of the component.

### Temperature range:

-30 °C up to +80 °C.



Order No.	D	D1	H	G	T	Approx. weight g
26105-01501557	15	12	15	M4	4	6
26105-02001557	20	14	15	M6	6	13
26105-03002057	30	22	20	M8	8	35
26105-04003057	40	33	30	M8	8	74
26105-04004857	40	20	48	M8	8	73
26105-05003057	50	40	30	M10	10	117
26105-07504057	75	50	40	M12	12	298