

Rubber impact buffer

type TP door buffer



Material, surface finish:

Elastomer, natural rubber, medium hardness,
60° Shore A

Sample order:

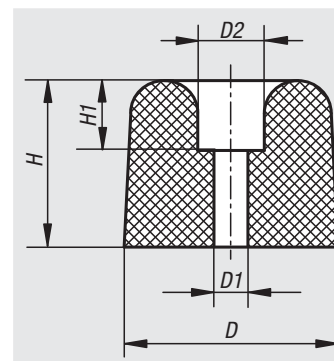
nIm 26108-02601560

Note:

Rubber impact buffers to be screwed on. Also
can be used as equipment feet for machines.

Temperature range:

-30 °C up to +80 °C.



Order No.	D	D1	D2	H	H1	Approx. weight g
26108-02601560	26	4	12	15	9	7
26108-03002260	30	7	11	21	5	17
26108-03503060	35	8	17	30	10	32
26108-04003560	40	7	20	35	8	48