

Rubber impact buffers

en ogive



Material, surface finish:

Metal parts, galvanized steel, class 5.6;
elastomer, natural rubber, medium hardness,
55° Shore A

Sample order:

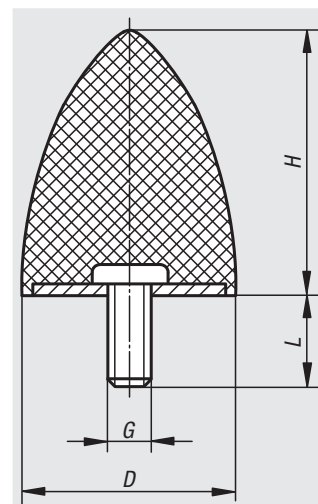
nIm 26110-02002455

Note:

Rubber impact buffers excel in their robustness and the effective cushioning and abatement of shocks. Rubber impact buffers are ideally suited for elastic travel limitation and for the cushioning of shocks in the case of mobile and immobile aggregates, machines as well as stops in general.

Temperature range:

-30 °C to +80 °C.



Order No.	D	H	G	L	Approx. weight kg
26110-02002455	20	24	M6	18	0,011
26110-03003655	30	36	M8	20	0,037
26110-03504055	35	40	M8	20	0,045
26110-05005855	50	58	M10	28	0,127
26110-05006755	50	67	M8	38	0,136
26110-07508955	75	89	M12	37	0,341